



PARTS CATALOGUE

TTR125 (5HPB) EUROPE,S.AFRICA

TTR125P (5HPB/5HPC) U.S.A.,OCEANIA/CANADA

TTR125L (5HPD) EUROPE,S.AFRICA

TTR125LP (5HPD/5HPE) U.S.A.,OCEANIA/CANADA

YAMAHA
GENUINE
Parts & Accessories

1A5HP-100E2

2A5HP-100E2

TTR125/TTR125P
TTR125L/TTR125LP
PARTS CATALOGUE
©2003 by Yamaha Motor Co., Ltd.
1st edition, February 2003
All rights reserved.
Any reprinting or unauthorized use
without the written permission of
Yamaha Motor Co., Ltd.
is expressly prohibited.
Printed in Japan.

A3



A4

FOREWORD

This Parts Catalogue is related to the parts for the model(s) on the cover page. When you are ordering replacement parts, please refer to this Parts Catalogue and quote both part numbers and part names correctly.

1. Modifications or additions which have been made after the issue of the Parts Catalogue will be announced in the Yamaha Parts News.

It is advisable that you make the necessary corrections to the Parts Catalogue according to the Yamaha Parts News.

2. Abbreviations

The following abbreviations are used in this Parts Catalogue.

"UR" Use specified parts number.

"UN" Use as many as needed.

"AP" Alternate Parts

"LM" Locally Made (Parts need to be ordered locally)

"F#" Frame No. (Applicable machine No.)

"O/S" Over Size

3. The number of components for assembly

- Parts, which are to be supplied in an assembly, are listed with a dot (.) in front of the part name as shown below.
- The numeral appearing to the right of each component part indicates the quantity of parts for each assembly unit.

| PART NO. | DESCRIPTION | Q'TY | REMARKS |
|--------------|--------------------------|------|---------|
| 2F5-83310-60 | FRONT FLASHER LIGHT ASSY | 2 | |
| 115-83311-60 | .BULB (6V-18W) | 1 | |

4. Applicable colours of graphics are represented in the "REMARKS" as shown below.

| PART NO. | DESCRIPTION | Q'TY | REMARKS |
|-----------------|---------------------|------|---------|
| 2N4-24110-00-X5 | FUEL TANK COMP. | 2 | MXR |
| 3J1-24240-10 | .GRAPHIC, FUEL TANK | 1 | FOR MXR |

5. Note that the illustrations for reference in finding parts numbers are not to be used for assembling. When assembling, please use the applicable service manual.

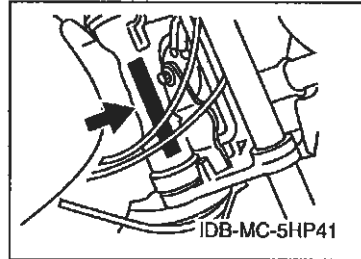
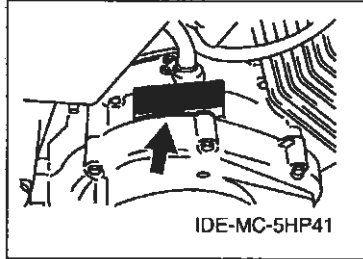
6. The asterisk (*) before a reference number indicates modified items after the first edition.

FOREWORD

7. Applicable Serial No.

Engine Serial No.

Frame Serial No.



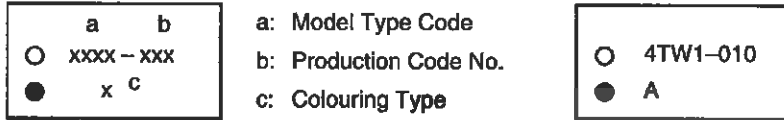
8. Applicable Colour Code

| Abbreviation | Colour Name | Colour Code |
|--------------|-------------|-------------|
| SL | SILVER | 0035 |
| | | |
| | | |
| | | |
| | | |
| | | |
| | | |
| | | |
| | | |
| | | |

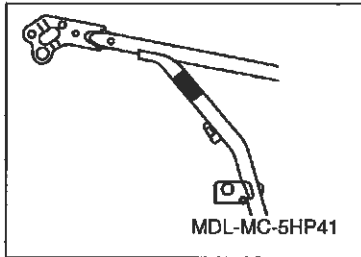
MODEL LABEL

(1) A label called "Model Label" is affixed in the location as indicated in (3) below. When using this parts catalogue, please be sure to cross-reference the "model code - production code No." in the catalogue with the "model code - production code No." indicated on the Model Label affixed onto the product concerned.

(2) "Model Label" Indication



(3) Model Label Affixing Location



(4) Colouring Information

| Model Code | Colouring Type Code | Colour Code | Colour Name | Abbreviation |
|------------|---------------------|-------------|----------------------------|--------------|
| 5HPB | A | 0583 | DEEP PURPLISH BLUE SOLID E | DPBSE |
| 5HPC | A | 0583 | DEEP PURPLISH BLUE SOLID E | DPBSE |
| 5HPD | A | 0583 | DEEP PURPLISH BLUE SOLID E | DPBSE |
| 5HPE | A | 0583 | DEEP PURPLISH BLUE SOLID E | DPBSE |
| | | | | |
| | | | | |
| | | | | |
| | | | | |
| | | | | |

(5) Model Code - Production Code Number of Model Listed in This Parts Catalogue

| Model Code | Production Code No. | Country (destination) | Model Code | Production Code No. | Country (destination) |
|------------|---------------------|-----------------------|------------|---------------------|-----------------------|
| 5HPB | 010 | U.S.A. | 5HPD | 130 | PORTUGAL |
| | 020 | AUSTRALIA | | 140 | SWEDEN |
| | 030 | AUSTRIA | 5HPE | 010 | CANADA |
| | 040 | BELGIUM | | | |
| | 050 | SWITZERLAND | | | |
| | 060 | DENMARK | | | |
| | 070 | SPAIN | | | |
| | 080 | FRANCE | | | |
| | 090 | UNITED KINGDOM | | | |
| | 100 | GREECE | | | |
| | 120 | NEW ZEALAND | | | |
| | 130 | PORTUGAL | | | |
| | 140 | SWEDEN | | | |
| | 5HPC | 010 | CANADA | | |
| 5HPD | 010 | U.S.A. | | | |
| | 020 | AUSTRALIA | | | |
| | 030 | AUSTRIA | | | |
| | 040 | BELGIUM | | | |
| | 050 | SWITZERLAND | | | |
| | 060 | DENMARK | | | |
| | 070 | SPAIN | | | |
| | 080 | FRANCE | | | |
| | 090 | UNITED KINGDOM | | | |
| | 100 | GREECE | | | |
| 120 | NEW ZEALAND | | | | |

CONTENTS

ENGINE

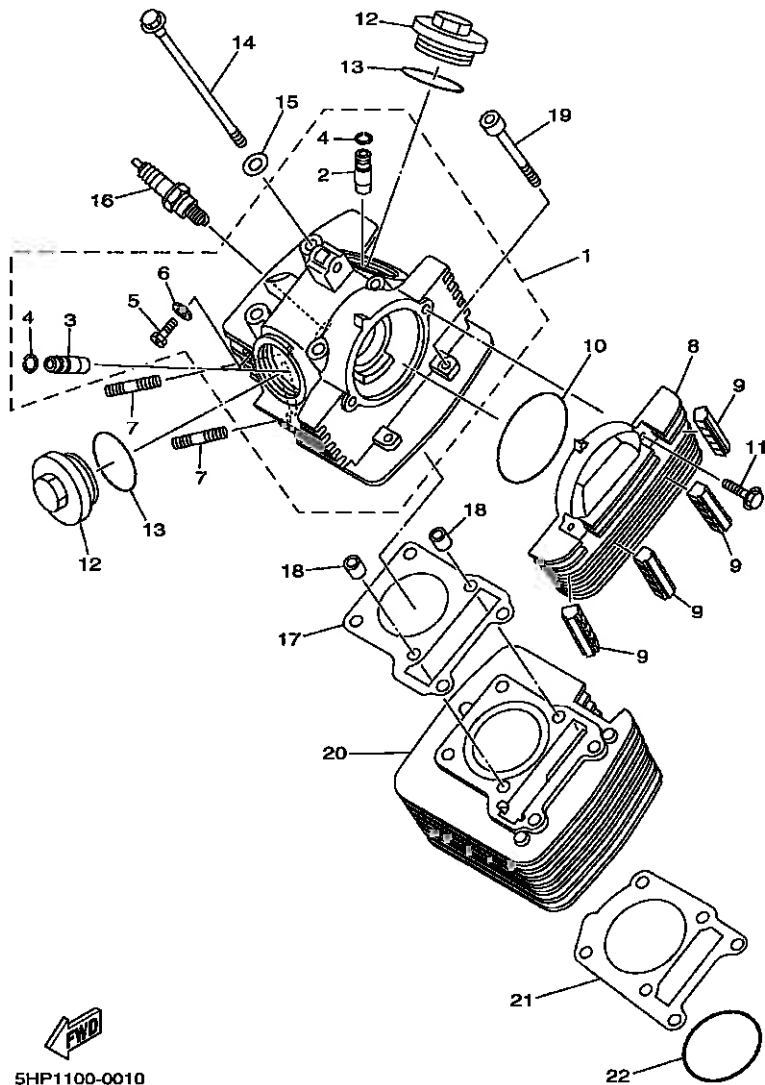
| | |
|--------------------------|-----|
| CYLINDER | B2 |
| CRANKSHAFT. PISTON | B3 |
| VALVE | B4 |
| CAMSHAFT. CHAIN | B5 |
| OIL PUMP | B6 |
| INTAKE | B7 |
| CARBURETOR | B8 |
| EXHAUST | B10 |
| CRANKCASE | B12 |
| CRANKCASE COVER 1 | B13 |
| STARTER | B14 |
| CLUTCH | B15 |
| TRANSMISSION | C2 |
| SHIFT CAM. FORK | C4 |
| SHIFT SHAFT | C5 |

CHASSIS

| | |
|------------------------------|-----|
| FRAME | C6 |
| FENDER | C8 |
| SIDE COVER | C9 |
| REAR ARM. SUSPENSION | C10 |
| STEERING | C13 |
| FRONT FORK | C14 |
| FRONT FORK 2 | D2 |
| FUEL TANK | D4 |
| SEAT | D6 |
| FRONT WHEEL | D7 |
| FRONT WHEEL 2 | D8 |
| FRONT BRAKE CALIPER | D9 |
| REAR WHEEL | D10 |
| STEERING HANDLE. CABLE | D12 |
| FRONT MASTER CYLINDER | D13 |
| STAND. FOOTREST | D14 |
| GENERATOR | E2 |
| HANDLE SWITCH. LEVER | E3 |
| HANDLE SWITCH. LEVER 2 | E4 |
| ELECTRICAL 1 | E5 |

INDEX

| | |
|-----------------------|----|
| NUMERICAL INDEX | M1 |
|-----------------------|----|



5HP1100-0010

FIG. 1 CYLINDER

| REF. NO. | PART NO. | DESCRIPTION | | | | | REMARKS |
|----------|--------------|-----------------------------|------|------|------|------|---------|
| | | | 5HPB | 5HFC | 5HPD | 5HFE | |
| 1 | 5HP-11111-00 | HEAD, CYLINDER 1 | 1 | 1 | 1 | 1 | |
| 2 | 2UJ-11133-10 | .GUIDE, VALVE 1 | 1 | 1 | 1 | 1 | |
| 3 | 22F-11134-10 | .GUIDE, VALVE 2 | 1 | 1 | 1 | 1 | |
| 4 | 93440-10109 | .CIRCLIP | 2 | 2 | 2 | 2 | |
| 5 | 90153-06029 | .SCREW, HEXAGON | 1 | 1 | 1 | 1 | |
| <hr/> | | | | | | | |
| 6 | 90430-06014 | .GASKET | 1 | 1 | 1 | 1 | |
| 7 | 90116-06503 | BOLT, STUD | 2 | 2 | 2 | 2 | |
| 8 | 5HH-11185-00 | COVER, CYLINDER HEAD SIDE 1 | 1 | 1 | 1 | 1 | |
| 9 | 5HP-11161-00 | ABSORBER 1 | 4 | 4 | 4 | 4 | |
| 10 | 93210-71462 | O-RING | 1 | 1 | 1 | 1 | |
| <hr/> | | | | | | | |
| 11 | 95027-06020 | BOLT, FLANGE | 2 | 2 | 2 | 2 | |
| 12 | 22F-11186-00 | COVER, CYLINDER HEAD SIDE 2 | 2 | 2 | 2 | 2 | |
| 13 | 93210-44704 | O-RING | 2 | 2 | 2 | 2 | |
| 14 | 90105-08724 | BOLT, FLANGE | 4 | 4 | 4 | 4 | |
| 15 | 90201-08609 | WASHER, PLATE | 4 | 4 | 4 | 4 | |
| <hr/> | | | | | | | |
| 16 | 94701-00265 | PLUG, SPARK (ND U22FSR-U) | 1 | 1 | 1 | 1 | UR |
| | 94701-00366 | PLUG, SPARK (NGK CR7HSA) | 1 | 1 | 1 | 1 | UR |
| 17 | 5AP-11181-00 | GASKET, CYLINDER HEAD 1 | 1 | 1 | 1 | 1 | |
| 18 | 99530-10114 | PIN, DOWEL | 2 | 2 | 2 | 2 | |
| 19 | 90110-06014 | BOLT, HEXAGON SOCKET HEAD | 2 | 2 | 2 | 2 | |
| <hr/> | | | | | | | |
| 20 | 5HP-11310-00 | CYLINDER | 1 | 1 | 1 | 1 | |
| 21 | 5HP-11351-00 | GASKET, CYLINDER | 1 | 1 | 1 | 1 | |
| 22 | 93210-57634 | O-RING | 1 | 1 | 1 | 1 | |
| <hr/> | | | | | | | |

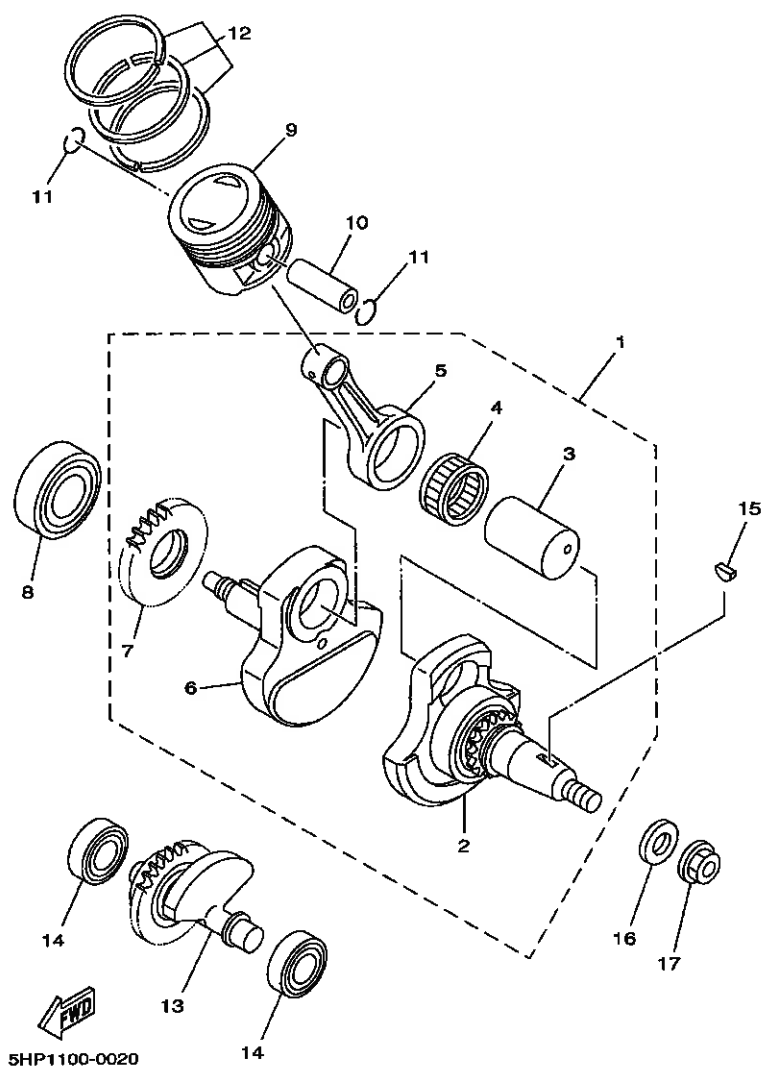
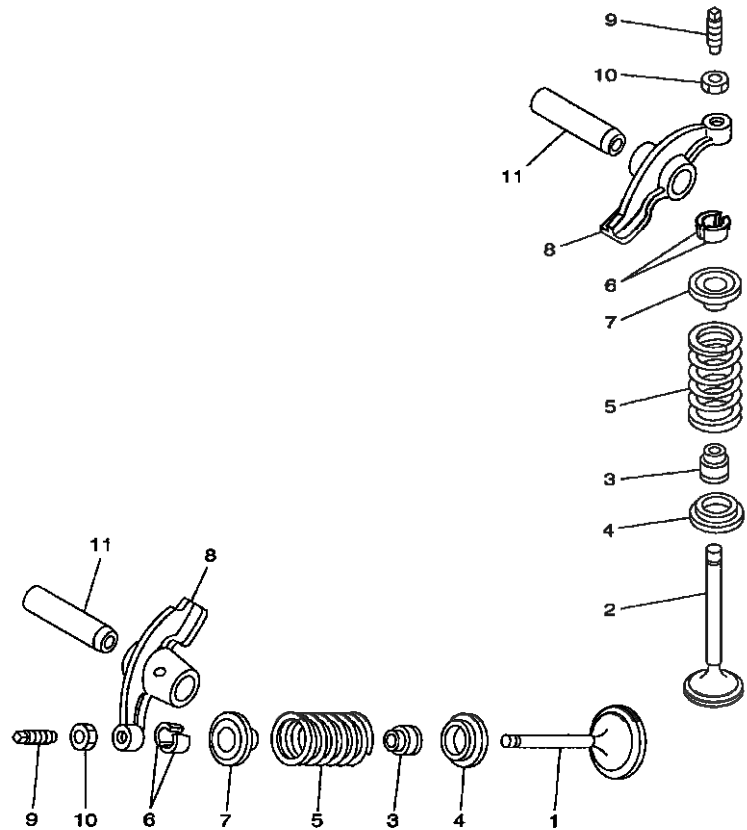


FIG. 2 CRANKSHAFT. PISTON

| REF. NO. | PART NO. | DESCRIPTION | 5HPB | 5HPC | 5HPD | 5HPE | REMARKS |
|----------|-----------------|------------------------------|------|------|------|------|---------|
| | | | | | | | |
| 1 | 5HP-11400-00 | CRANKSHAFT ASSY | 1 | 1 | 1 | 1 | |
| 2 | 5HP-W1141-00 | .CRANK 1 | 1 | 1 | 1 | 1 | |
| 3 | 4LS-11681-01 | .PIN, CRANK 1 | 1 | 1 | 1 | 1 | |
| 4 | 93310-6290C | .BEARING | 1 | 1 | 1 | 1 | |
| 5 | 4LS-11651-02 | .ROD, CONNECTING | 1 | 1 | 1 | 1 | |
| 6 | 5HP-11422-00 | .CRANK 2 | 1 | 1 | 1 | 1 | |
| 7 | 5AP-11536-00 | .GEAR, DRIVE | 1 | 1 | 1 | 1 | |
| 8 | 93306-20597 | BEARING | 1 | 1 | 1 | 1 | |
| 9 | 5HP-11631-00-A0 | PISTON (STD) | 1 | 1 | 1 | 1 | |
| | 5HP-11636-00 | PISTON (0.50MM O/S) | 1 | 1 | 1 | 1 | AP |
| | 5HP-11638-00 | PISTON (1.00MM O/S) | 1 | 1 | 1 | 1 | AP |
| 10 | 2TK-11633-00 | PIN, PISTON | 1 | 1 | 1 | 1 | |
| 11 | 93450-16068 | CIRCLIP | 2 | 2 | 2 | 2 | |
| 12 | 4LS-11603-00 | PISTON RING SET (STD) | 1 | 1 | 1 | 1 | |
| | 4LS-11605-00 | PISTON RING SET (0.50MM O/S) | 1 | 1 | 1 | 1 | AP |
| | 4LS-11607-00 | PISTON RING SET (1.00MM O/S) | 1 | 1 | 1 | 1 | AP |
| 13 | 5HP-11500-00 | BALANCER ASSY | 1 | 1 | 1 | 1 | |
| 14 | 93306-20221 | BEARING | 2 | 2 | 2 | 2 | |
| 15 | 90280-03017 | KEY, WOODRUFF | 1 | 1 | 1 | 1 | |
| 16 | 90201-120E8 | WASHER, PLATE | 1 | 1 | 1 | 1 | |
| 17 | 90179-12248 | NUT | 1 | 1 | 1 | 1 | |

FIG. 3 VALVE



| REF. NO. | PART NO. | DESCRIPTION | 5HPB | 5HPC | 5HPD | 5HPE | REMARKS |
|----------|--------------|------------------------|------|------|------|------|---------|
| 1 | 5HP-12111-00 | VALVE, INTAKE | 1 | 1 | 1 | 1 | |
| 2 | 5HP-12121-00 | VALVE, EXHAUST | 1 | 1 | 1 | 1 | |
| 3 | 2HX-12119-00 | SEAL, VALVE STEM | 2 | 2 | 2 | 2 | |
| 4 | 22F-12116-00 | SEAT, VALVE SPRING | 2 | 2 | 2 | 2 | |
| 5 | 5HP-12113-00 | SPRING, VALVE INNER | 2 | 2 | 2 | 2 | |
| 6 | 22F-12118-01 | COTTER, VALVE | 4 | 4 | 4 | 4 | |
| 7 | 22F-12117-02 | RETAINER, VALVE SPRING | 2 | 2 | 2 | 2 | |
| 8 | 50M-12151-00 | ARM, VALVE ROCKER | 2 | 2 | 2 | 2 | |
| 9 | 22F-12159-00 | SCREW, VALVE ADJUSTING | 2 | 2 | 2 | 2 | |
| 10 | 90170-05302 | NUT | 2 | 2 | 2 | 2 | |
| 11 | 22F-12156-00 | SHAFT, ROCKER 2 | 2 | 2 | 2 | 2 | |


4LS1470-8030

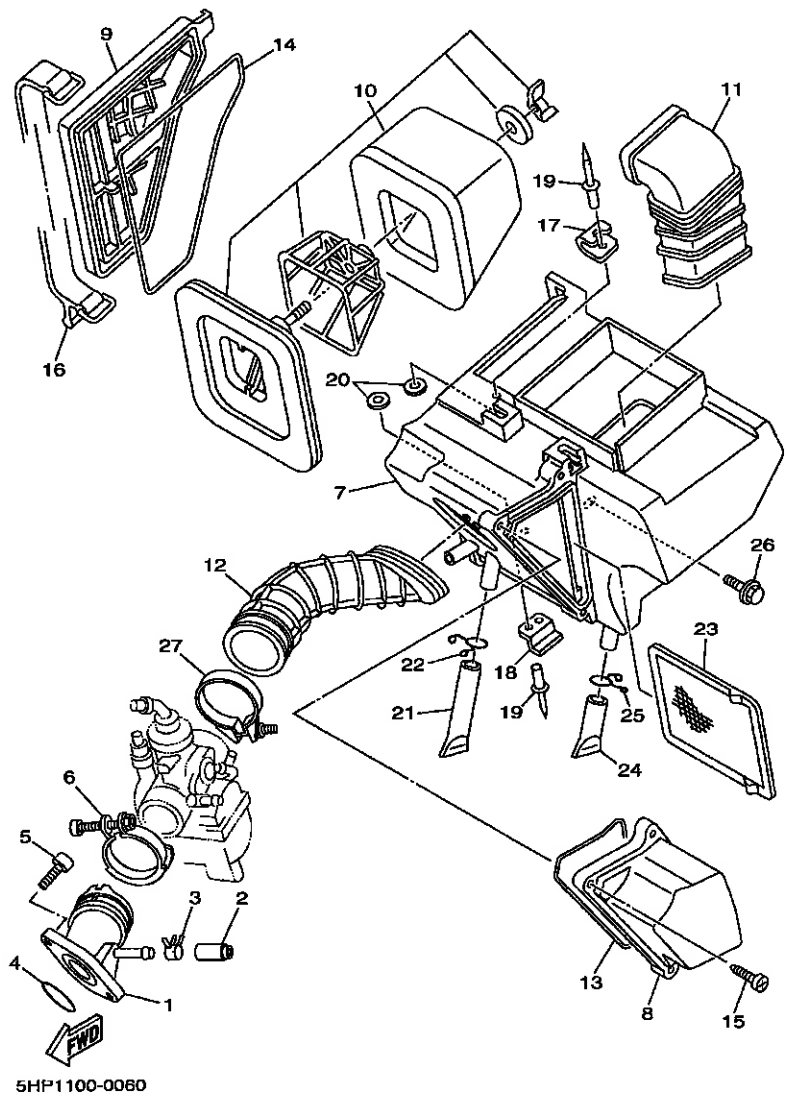
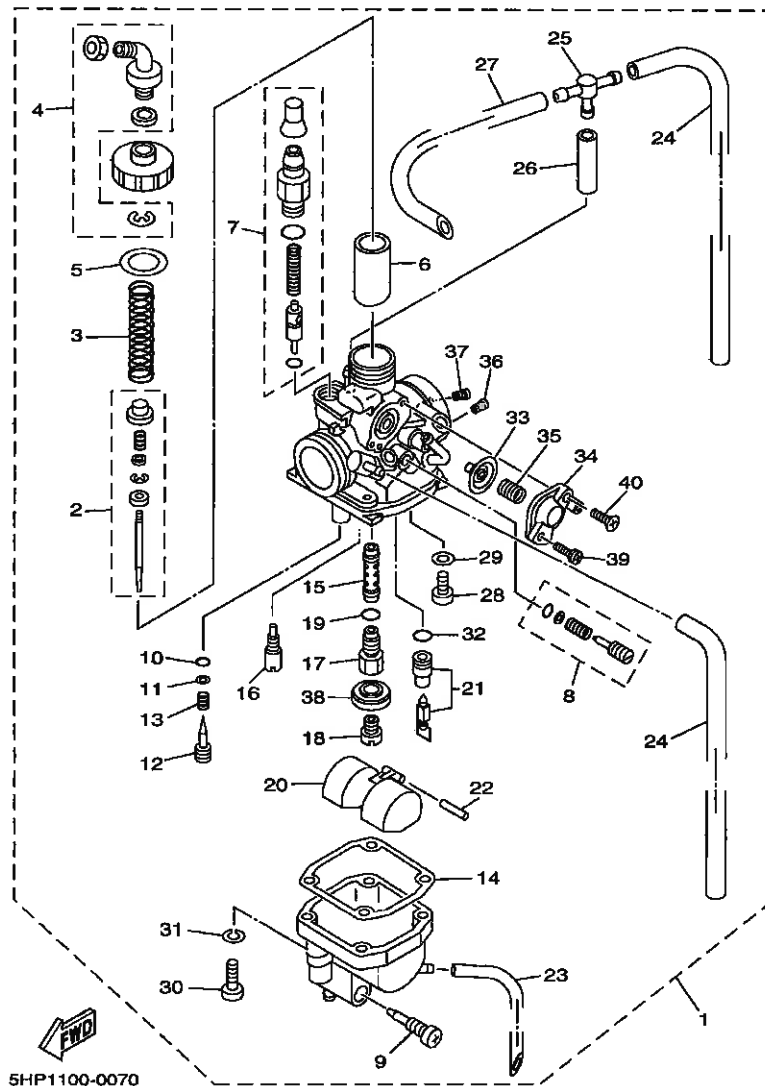


FIG. 6 INTAKE

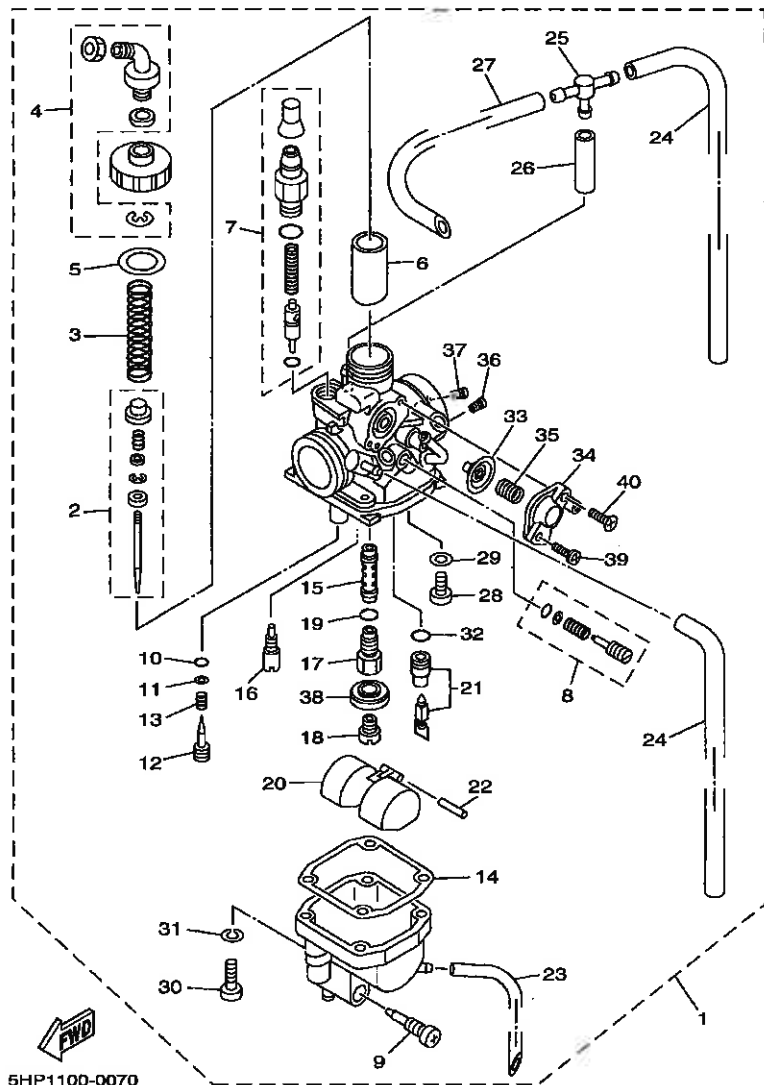
| REF. NO. | PART NO. | DESCRIPTION | 5HPB | 5HPC | 5HPD | 5HPE | REMARKS |
|----------|--------------|-----------------------------|------|------|------|------|---------|
| 1 | 5HP-13586-00 | JOINT, CARBURETOR 1 | 1 | 1 | 1 | 1 | |
| 2 | 16G-13569-00 | PLUG, BLIND | 1 | 1 | 1 | 1 | |
| 3 | 90467-10039 | CLIP | 1 | 1 | 1 | 1 | |
| 4 | 93210-30611 | O-RING | 1 | 1 | 1 | 1 | |
| 5 | 91317-06020 | BOLT | 2 | 2 | 2 | 2 | |
| <hr/> | | | | | | | |
| 6 | 90450-44062 | HOSE CLAMP ASSY | 1 | 1 | 1 | 1 | |
| 7 | 5HP-14411-00 | CASE, AIR CLEANER 1 | 1 | 1 | 1 | 1 | |
| 8 | 5HP-14412-00 | CAP, CLEANER CASE 1 | 1 | 1 | 1 | 1 | |
| 9 | 5HP-14422-00 | CAP, CLEANER CASE 2 | 1 | 1 | 1 | 1 | |
| 10 | 5HP-14450-00 | ELEMENT ASSY, AIR CLEANER | 1 | 1 | 1 | 1 | |
| <hr/> | | | | | | | |
| 11 | 5HP-14437-00 | DUCT | 1 | 1 | 1 | 1 | |
| 12 | 5HP-14453-00 | JOINT, AIR CLEANER 1 | 1 | 1 | 1 | 1 | |
| 13 | 50M-14452-00 | SEAL | 1 | 1 | 1 | 1 | |
| 14 | 3GM-14452-00 | SEAL | 1 | 1 | 1 | 1 | |
| 15 | 97707-50520 | SCREW, TAPPING | 3 | 3 | 3 | 3 | |
| <hr/> | | | | | | | |
| 16 | 5HP-2611G-00 | BAND | 1 | 1 | 1 | 1 | |
| 17 | 34K-14484-00 | PLATE, CLEANER CASE FITTING | 1 | 1 | 1 | 1 | |
| 18 | 26A-14436-00 | HOOK | 1 | 1 | 1 | 1 | |
| 19 | 90267-40073 | RIVET, BLIND | 3 | 3 | 3 | 3 | |
| 20 | 92907-04200 | WASHER | 3 | 3 | 3 | 3 | |
| <hr/> | | | | | | | |
| 21 | 3AJ-1443E-00 | PIPE, DRAIN | 1 | 1 | 1 | 1 | |
| 22 | 90467-15012 | CLIP | 1 | 1 | 1 | 1 | |
| 23 | 5HP-14472-00 | PLATE, ELEMENT | 1 | 1 | 1 | 1 | |
| 24 | MS0-1443E-00 | PIPE, DRAIN | 1 | 1 | 1 | 1 | |
| 25 | 90467-14015 | CLIP | 1 | 1 | 1 | 1 | |
| <hr/> | | | | | | | |
| 26 | 90119-06044 | BOLT, WITH WASHER | 3 | 3 | 3 | 3 | |
| 27 | 90480-46206 | CLAMP, HOSE | 1 | 1 | 1 | 1 | |



5HP1100-0070

FIG. 7 CARBURETOR

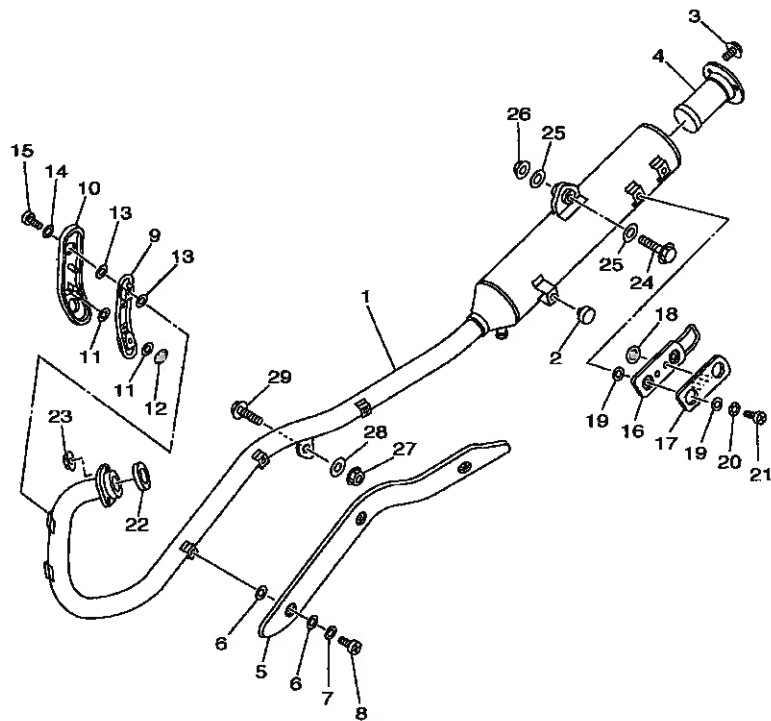
| REF. NO. | PART NO. | DESCRIPTION | 5HPB | 5HPC | 5HPD | 5HPE | REMARKS |
|----------|--------------|-------------------------|------|------|------|------|---------|
| 1 | 5HP-14101-10 | CARBURETOR ASSY 1 | 1 | 1 | 1 | 1 | |
| 2 | 5HP-1490J-00 | .NEEDLE SET | 1 | 1 | 1 | 1 | |
| 3 | 4LS-14131-00 | .SPRING, THROTTLE VALVE | 1 | 1 | 1 | 1 | |
| 4 | 5DG-14106-00 | .CABLE ADJUST SCREW SET | 1 | 1 | 1 | 1 | |
| 5 | 4LS-14126-00 | .GASKET | 1 | 1 | 1 | 1 | |
| 6 | 5HH-14112-25 | .VALVE, THROTTLE 1 | 1 | 1 | 1 | 1 | |
| 7 | 5HP-1410A-10 | .STARTER SET | 1 | 1 | 1 | 1 | |
| 8 | 5HH-14103-00 | .THROTTLE SCREW SET | 1 | 1 | 1 | 1 | |
| 9 | 4LS-14191-00 | .PLUG, DRAIN | 1 | 1 | 1 | 1 | |
| 10 | 3H1-14147-00 | .O-RING | 1 | 1 | 1 | 1 | |
| 11 | 3H1-14962-00 | .WASHER | 1 | 1 | 1 | 1 | |
| 12 | 4LS-14923-20 | .SCREW, PILOT | 1 | 1 | 1 | 1 | |
| 13 | 5K7-14134-00 | .SPRING, AIR ADJUSTING | 1 | 1 | 1 | 1 | |
| 14 | 24W-14184-00 | .GASKET, FLOAT CHAMBER | 1 | 1 | 1 | 1 | |
| 15 | 21V-1414M-26 | .NOZZLE, MAIN | 1 | 1 | 1 | 1 | |
| 16 | 5HP-14142-15 | .JET, PILOT (# 15) | 1 | 1 | 1 | 1 | |
| 17 | 5HP-14145-00 | .SETTER, NEEDLE JET | 1 | 1 | 1 | 1 | |
| 18 | 620-14231-21 | .JET, MAIN (#105) | 1 | 1 | 1 | 1 | STD |
| | 620-1423A-71 | .JET,MAIN(#102.5) | 1 | 1 | 1 | 1 | AP |
| 19 | 583-14561-00 | .O-RING | 1 | 1 | 1 | 1 | |
| 20 | 5HH-14185-00 | .FLOAT | 1 | 1 | 1 | 1 | |
| 21 | 5HP-14107-18 | .NEEDLE VALVE SET | 1 | 1 | 1 | 1 | |
| 22 | 127-14186-00 | .PIN, FLOAT | 1 | 1 | 1 | 1 | |
| 23 | 1A0-14198-00 | .PIPE | 1 | 1 | 1 | 1 | |
| 24 | 26H-14197-00 | .PIPE | 2 | 2 | 2 | 2 | |
| 25 | 68E-14251-00 | .NIPPLE | 1 | 1 | 1 | 1 | |
| 26 | 5HP-14348-00 | .PIPE 1 | 1 | 1 | 1 | 1 | |



5HP1100-0070

FIG. 7 CARBURETOR

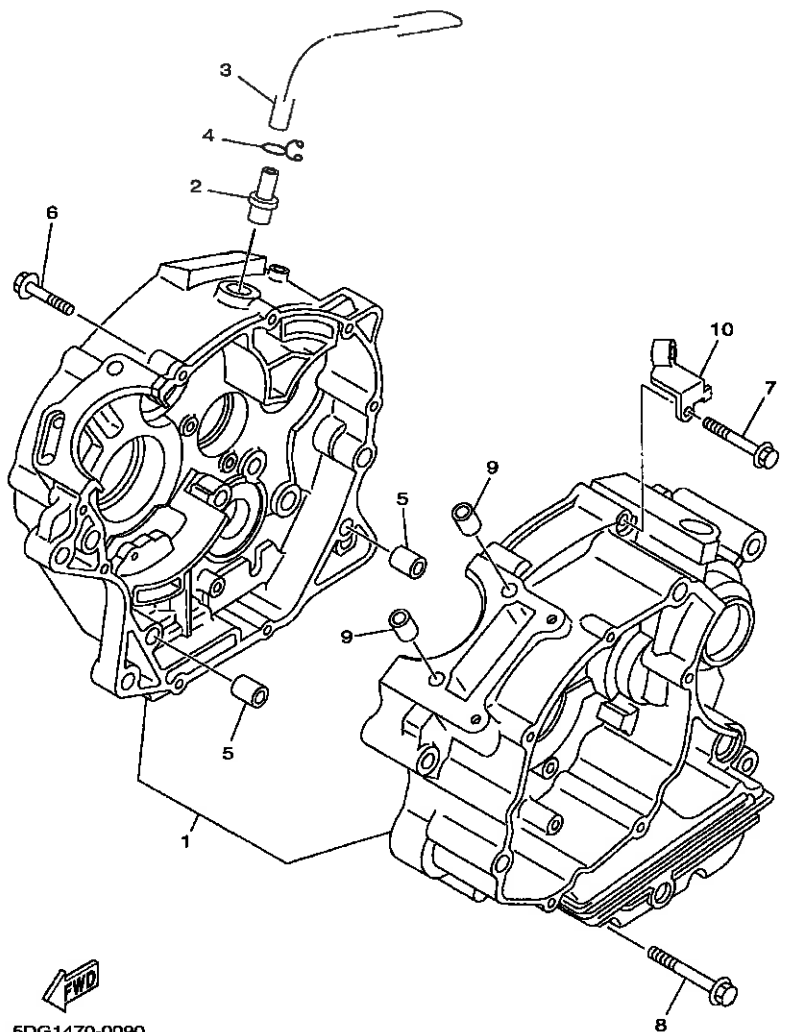
| REF. NO. | PART NO. | DESCRIPTION | 5HPB | 5HPC | 5HPD | 5HPE | REMARKS |
|----------|--------------|--------------------|------|------|------|------|---------|
| 27 | 5CA-14197-00 | .PIPE | 1 | 1 | 1 | 1 | |
| 28 | 98507-03006 | .SCREW, PAN HEAD | 1 | 1 | 1 | 1 | |
| 29 | 92907-03100 | .WASHER, SPRING | 1 | 1 | 1 | 1 | |
| 30 | 98507-04014 | .SCREW, PAN HEAD | 4 | 4 | 4 | 4 | |
| 31 | 92907-04100 | .WASHER, SPRING | 4 | 4 | 4 | 4 | |
| 32 | 4LS-14147-00 | .O-RING | 1 | 1 | 1 | 1 | |
| 33 | 5AP-14940-00 | .DIAPHRAGM ASSY | 1 | 1 | 1 | 1 | |
| 34 | 5HP-14280-00 | .COVER, CARBURETOR | 1 | 1 | 1 | 1 | |
| 35 | 5AP-14933-00 | .SPRING, DIAPHRAGM | 1 | 1 | 1 | 1 | |
| 36 | 1HX-14231-16 | .JET, MAIN (# 80) | 1 | 1 | 1 | 1 | |
| 37 | 1HX-14231-29 | .JET, MAIN (#145) | 1 | 1 | 1 | 1 | |
| 38 | 5V7-14153-00 | .WASHER, MAIN JET | 1 | 1 | 1 | 1 | |
| 39 | 5HP-14565-00 | .SCREW | 1 | 1 | 1 | 1 | |
| 40 | 5HP-14216-00 | .SCREW | 1 | 1 | 1 | 1 | |



5HP6100-1080

FIG. 8 EXHAUST

| REF. NO. | PART NO. | DESCRIPTION | SHPB | SHPC | SHPD | SHPE | REMARKS |
|----------|--------------|-------------------------|------|------|------|------|---------|
| 1 | 5HP-14711-10 | MUFFLER 1 | 1 | 1 | 1 | 1 | |
| 2 | 22W-24181-00 | DAMPER, LOCATING 1 | 1 | 1 | 1 | 1 | |
| 3 | 95027-06010 | BOLT, FLANGE | 3 | 3 | 3 | 3 | |
| 4 | 5HP-14780-00 | SPARK ARRESTER ASSY | 1 | 1 | 1 | 1 | |
| 5 | 5HP-14628-00 | PROTECTOR, EXHAUST PIPE | 1 | 1 | 1 | 1 | |
| 6 | 4BD-14766-00 | WASHER, PROTECTOR | 6 | 6 | 6 | 6 | |
| 7 | 90206-06090 | WASHER, WAVE | 3 | 3 | 3 | 3 | |
| 8 | 98980-06008 | SCREW, BIND | 3 | 3 | 3 | 3 | |
| 9 | 5HP-14628-10 | PROTECTOR, EXHAUST PIPE | 1 | 1 | 1 | 1 | |
| 10 | 5HP-1479H-00 | COVER, 1 | 1 | 1 | 1 | 1 | |
| 11 | 4BD-14766-00 | WASHER, PROTECTOR | 4 | 4 | 4 | 4 | |
| 12 | 90183-04047 | NUT, SPRING | 2 | 2 | 2 | 2 | |
| 13 | 4BD-14766-00 | WASHER, PROTECTOR | 4 | 4 | 4 | 4 | |
| 14 | 90206-06090 | WASHER, WAVE | 2 | 2 | 2 | 2 | |
| 15 | 98980-06008 | SCREW, BIND | 2 | 2 | 2 | 2 | |
| 16 | 5HP-14758-00 | PROTECTOR, SILENCER | 1 | 1 | 1 | 1 | |
| 17 | 5HP-1478J-00 | COVER 2 | 1 | 1 | 1 | 1 | |
| 18 | 90183-04047 | NUT, SPRING | 2 | 2 | 2 | 2 | |
| 19 | 4BD-14766-00 | WASHER, PROTECTOR | 4 | 4 | 4 | 4 | |
| 20 | 90206-06090 | WASHER, WAVE | 2 | 2 | 2 | 2 | |
| 21 | 98980-06008 | SCREW, BIND | 2 | 2 | 2 | 2 | |
| 22 | 4BR-14613-00 | GASKET, EXHAUST PIPE | 1 | 1 | 1 | 1 | |
| 23 | 95607-06200 | NUT, SELF U-FLANGE | 2 | 2 | 2 | 2 | |
| 24 | 95817-10040 | BOLT, FLANGE | 1 | 1 | 1 | 1 | |
| 25 | 90201-101J1 | WASHER, PLATE | 2 | 2 | 2 | 2 | |
| 26 | 90185-10002 | NUT, SELF-LOCKING | 1 | 1 | 1 | 1 | |
| 27 | 90179-08491 | NUT | 1 | 1 | 1 | 1 | |



5DG1470-0090

FIG. 9 CRANKCASE

| REF. NO. | PART NO. | DESCRIPTION | 5HPB | 5HFC | 5HPD | 5HPE | REMARKS |
|----------|--------------|----------------------|------|------|------|------|---------|
| 1 | 5HP-15150-00 | CRANKCASE ASSY | 1 | 1 | 1 | 1 | |
| 2 | 58V-11167-00 | PIPE, BREATHER 2 | 1 | 1 | 1 | 1 | |
| 3 | 5HP-11166-00 | PIPE, BREATHER 1 | 1 | 1 | 1 | 1 | |
| 4 | 90467-13084 | CLIP | 1 | 1 | 1 | 1 | |
| 5 | 99530-10114 | PIN, DOWEL | 2 | 2 | 2 | 2 | |
| 6 | 95027-08030 | BOLT, FLANGE | 2 | 2 | 2 | 2 | |
| 7 | 90105-06015 | BOLT, FLANGE | 7 | 7 | 7 | 7 | |
| 8 | 95027-06055 | BOLT, FLANGE | 1 | 1 | 1 | 1 | |
| 9 | 99530-10114 | PIN, DOWEL | 2 | 2 | 2 | 2 | |
| 10 | 5HP-15441-00 | HOLDER, CLUTCH CABLE | 1 | 1 | 1 | 1 | |

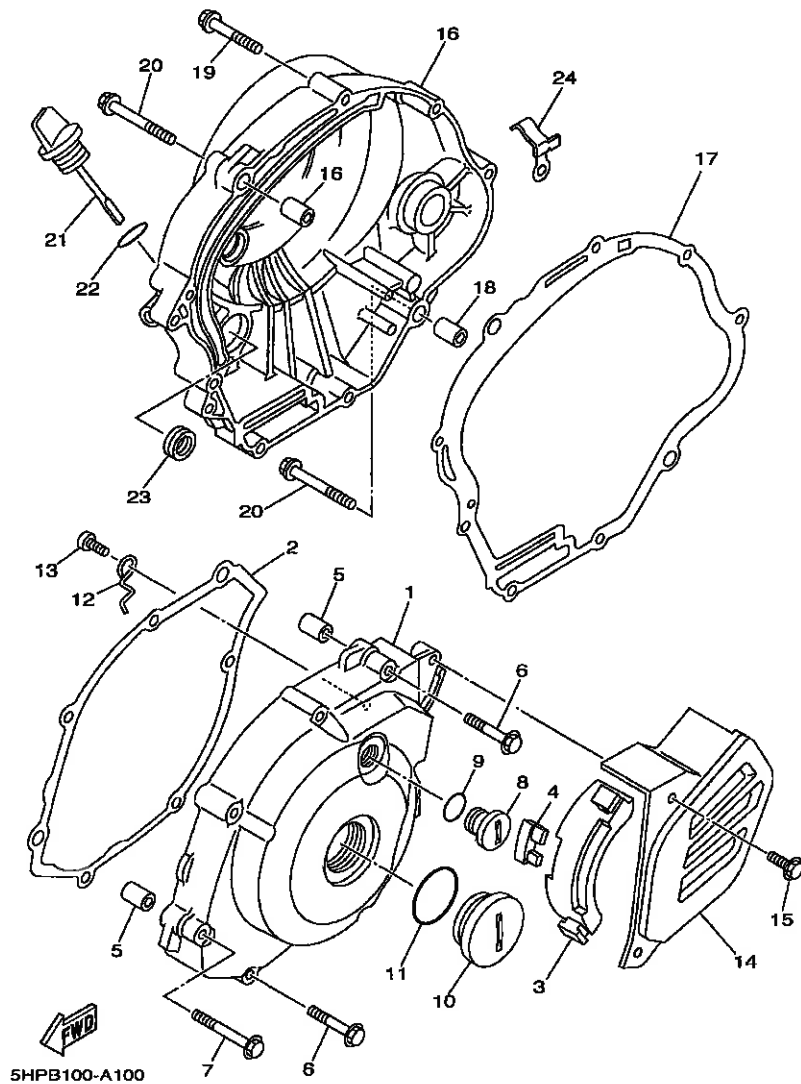
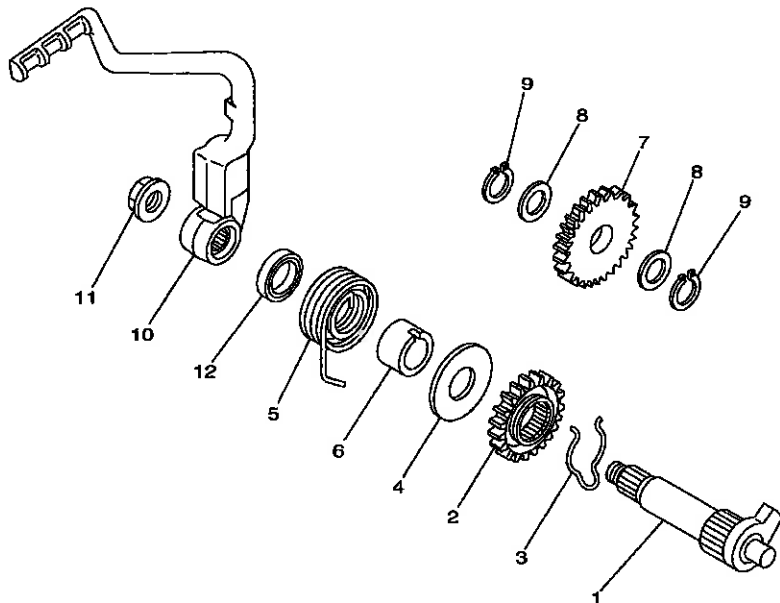


FIG. 10 CRANKCASE COVER 1

| REF. NO. | PART NO. | DESCRIPTION | 5HPB | 5HPC | 5HPD | 5HPE | REMARKS |
|----------|--------------|---------------------------|------|------|------|------|---------|
| 1 | 5HP-15411-01 | COVER, CRANKCASE 1 | 1 | 1 | 1 | 1 | |
| 2 | 5HP-15451-00 | GASKET, CRANKCASE COVER 1 | 1 | 1 | 1 | 1 | |
| 3 | 5HP-15377-00 | GUIDE, INLET | 1 | 1 | 1 | 1 | |
| 4 | 5HP-15318-00 | DAMPER, ENGINE MOUNT 1 | 1 | 1 | 1 | 1 | |
| 5 | 99530-10114 | PIN, DOWEL | 2 | 2 | 2 | 2 | |
| 6 | 95027-06035 | BOLT, FLANGE | 5 | 5 | 5 | 5 | |
| 7 | 95027-06045 | BOLT, FLANGE | 2 | 2 | 2 | 2 | |
| 8 | 90340-14068 | PLUG, STRAIGHT SCREW | 1 | 1 | 1 | 1 | |
| 9 | 93210-14369 | O-RING | 1 | 1 | 1 | 1 | |
| 10 | 90340-32069 | PLUG, STRAIGHT SCREW | 1 | 1 | 1 | 1 | |
| 11 | 93210-32172 | O-RING | 1 | 1 | 1 | 1 | |
| 12 | 5HP-15191-00 | PLATE | 1 | 1 | 1 | 1 | |
| 13 | 98507-06010 | SCREW, PAN HEAD | 1 | 1 | 1 | 1 | |
| 14 | 5HP-15418-00 | COVER, CHAIN CASE | 1 | 1 | 1 | 1 | |
| 15 | 95817-06016 | BOLT, FLANGE | 2 | 2 | 2 | 2 | |
| 16 | 5HH-15421-00 | COVER, CRANKCASE 2 | 1 | 1 | 1 | 1 | |
| 17 | 5HP-15461-00 | GASKET, CRANKCASE COVER 2 | 1 | 1 | 1 | 1 | |
| 18 | 99530-10114 | PIN, DOWEL | 2 | 2 | 2 | 2 | |
| 19 | 90105-06014 | BOLT, FLANGE | 7 | 7 | 7 | 7 | |
| 20 | 90105-06015 | BOLT, FLANGE | 2 | 2 | 2 | 2 | |
| 21 | 5HH-15362-00 | PLUG, OIL LEVEL | 1 | 1 | 1 | 1 | |
| 22 | 93210-19123 | O-RING | 1 | 1 | 1 | 1 | |
| 23 | 93101-10142 | OIL SEAL | 1 | 1 | 1 | 1 | |
| 24 | 90462-08005 | CLAMP | 1 | 1 | 1 | 1 | |

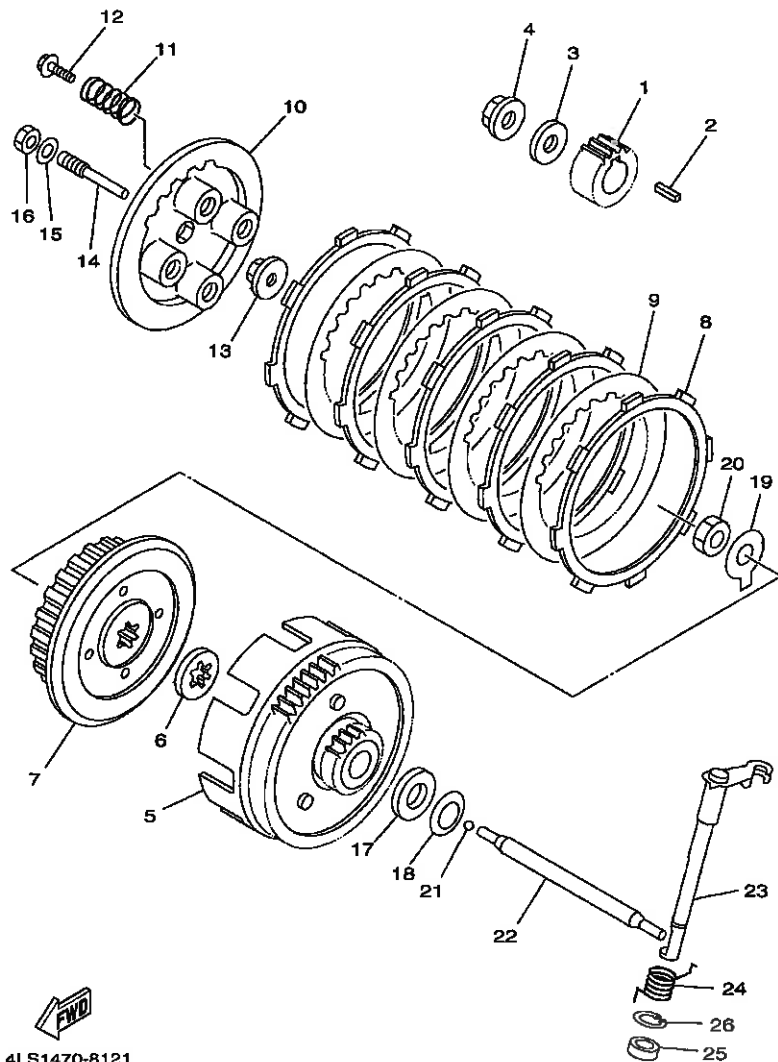
FIG. 11 STARTER



| REF. NO. | PART NO. | DESCRIPTION | 5HPB | 5HPC | 5HPD | 5HPE | REMARKS |
|----------|--------------|-----------------------|------|------|------|------|---------|
| 1 | 55K-15660-00 | KICK AXLE ASSY | 1 | 1 | 1 | 1 | |
| 2 | 10V-15641-00 | GEAR, KICK (23T) | 1 | 1 | 1 | 1 | |
| 3 | 90468-26048 | CLIP | 1 | 1 | 1 | 1 | |
| 4 | 90201-202F9 | WASHER, PLATE | 1 | 1 | 1 | 1 | |
| 5 | 90508-26667 | SPRING, TORSION | 1 | 1 | 1 | 1 | |
| 6 | 5HP-15664-00 | GUIDE, SPRING | 1 | 1 | 1 | 1 | |
| 7 | 5HP-15651-00 | GEAR, KICK IDLE (28T) | 1 | 1 | 1 | 1 | |
| 8 | 90201-152H7 | WASHER, PLATE | 2 | 2 | 2 | 2 | |
| 9 | 99009-15400 | CIRCLIP | 2 | 2 | 2 | 2 | |
| 10 | 5HP-15620-00 | KICK CRANK ASSY | 1 | 1 | 1 | 1 | |
| 11 | 90179-12659 | NUT | 1 | 1 | 1 | 1 | |
| 12 | 93109-20014 | OIL SEAL | 1 | 1 | 1 | 1 | |



5HP1100-0110



4LS1470-8121

FIG. 12 CLUTCH

| REF. NO. | PART NO. | DESCRIPTION | 5APB | 5APC | 5APD | 5APE | REMARKS |
|----------|--------------|---------------------------|------|------|------|------|---------|
| 1 | 401-16111-00 | GEAR, PRIMARY DRIVE | 1 | 1 | 1 | 1 | |
| 2 | 90282-05001 | KEY, STRAIGHT (5MMX16MM) | 1 | 1 | 1 | 1 | |
| 3 | 90201-122H1 | WASHER, PLATE | 1 | 1 | 1 | 1 | |
| 4 | 90179-12659 | NUT | 1 | 1 | 1 | 1 | |
| 5 | 5AP-16150-00 | PRIMARY DRIVEN GEAR COMP. | 1 | 1 | 1 | 1 | |
| 6 | 4V0-16154-00 | PLATE, THRUST 1 | 1 | 1 | 1 | 1 | |
| 7 | 5AP-16371-00 | BOSS, CLUTCH | 1 | 1 | 1 | 1 | |
| 8 | 598-16321-01 | PLATE, FRICTION | 5 | 5 | 5 | 5 | |
| 9 | 1V1-16324-00 | PLATE, CLUTCH 1 | 4 | 4 | 4 | 4 | |
| 10 | 5AP-16351-00 | PLATE, PRESSURE 1 | 1 | 1 | 1 | 1 | |
| 11 | 90501-204A0 | SPRING, COMPRESSION | 4 | 4 | 4 | 4 | |
| 12 | 90119-05020 | BOLT, WITH WASHER | 4 | 4 | 4 | 4 | |
| 13 | 1W1-16358-01 | PLATE, PUSH | 1 | 1 | 1 | 1 | |
| 14 | 5AP-16356-00 | ROD, PUSH 1 | 1 | 1 | 1 | 1 | |
| 15 | 92907-06200 | WASHER | 1 | 1 | 1 | 1 | |
| 16 | 95307-06600 | NUT | 1 | 1 | 1 | 1 | |
| 17 | 5AP-16164-00 | PLATE, THRUST 2 | 1 | 1 | 1 | 1 | |
| 18 | 90208-17032 | WASHER, CONICAL SPRING | 1 | 1 | 1 | 1 | |
| 19 | 90215-12211 | WASHER, LOCK | 1 | 1 | 1 | 1 | |
| 20 | 90170-12060 | NUT | 1 | 1 | 1 | 1 | |
| 21 | 93503-16003 | BALL | 1 | 1 | 1 | 1 | |
| 22 | 5AP-16357-00 | ROD, PUSH 2 | 1 | 1 | 1 | 1 | |
| 23 | 5HP-16381-00 | PUSH LEVER COMP. | 1 | 1 | 1 | 1 | |
| 24 | 90508-142A5 | SPRING, TORSION | 1 | 1 | 1 | 1 | |
| 25 | 93102-12224 | OIL SEAL | 1 | 1 | 1 | 1 | |
| 26 | 99009-20500 | CIRCLIP | 1 | 1 | 1 | 1 | |

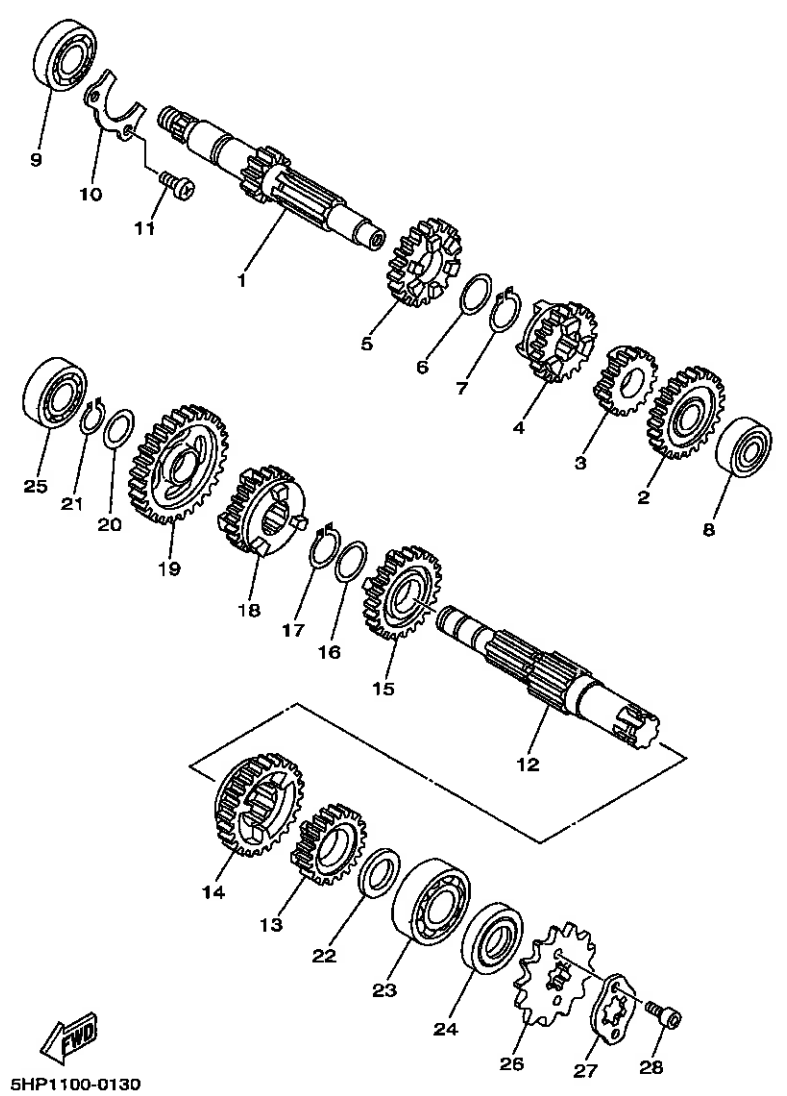
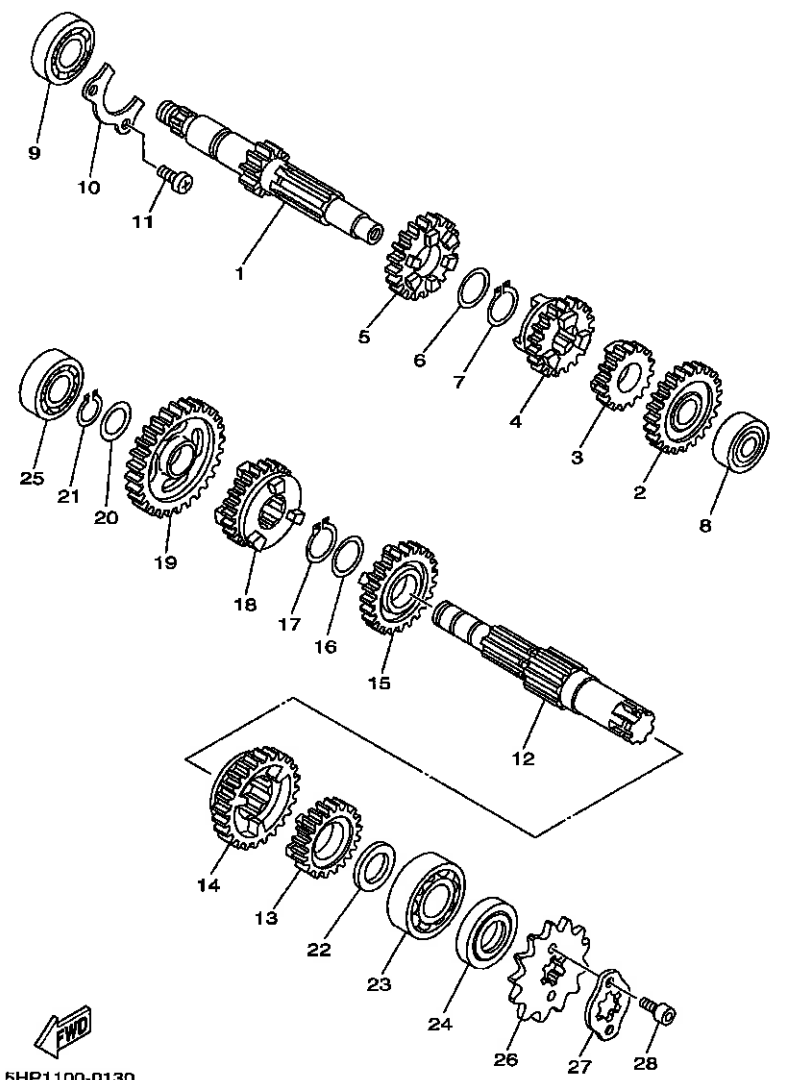


FIG. 13 TRANSMISSION

| REF. NO. | PART NO. | DESCRIPTION | 5HPB | 5HPC | 5HPD | 5HPE | REMARKS |
|----------|--------------|--------------------------|------|------|------|------|---------|
| 1 | 5AP-17411-00 | AXLE, MAIN (14T) | 1 | 1 | 1 | 1 | |
| 2 | 5AP-17151-00 | GEAR, 5TH PINION (24T) | 1 | 1 | 1 | 1 | |
| 3 | 5AP-17121-00 | GEAR, 2ND PINION (18T) | 1 | 1 | 1 | 1 | |
| 4 | 5AP-17131-00 | GEAR, 3RD PINION (19T) | 1 | 1 | 1 | 1 | |
| 5 | 5AP-17141-00 | GEAR, 4TH PINION (22T) | 1 | 1 | 1 | 1 | |
| 6 | 90201-20286 | WASHER, PLATE (T=1.0) | 1 | 1 | 1 | 1 | |
| 7 | 93410-20038 | CIRCLIP | 1 | 1 | 1 | 1 | |
| 8 | 93306-20121 | BEARING | 1 | 1 | 1 | 1 | |
| 9 | 93306-20301 | BEARING | 1 | 1 | 1 | 1 | |
| 10 | 5AP-17471-00 | PLATE, COVER | 1 | 1 | 1 | 1 | |
| 11 | 90157-06124 | SCREW, PAN HEAD | 2 | 2 | 2 | 2 | |
| 12 | 5AP-17402-00 | DRIVE AXLE ASSY | 1 | 1 | 1 | 1 | |
| 13 | 5AP-17251-00 | GEAR, 5TH WHEEL (21T) | 1 | 1 | 1 | 1 | |
| 14 | 5AP-17221-00 | GEAR, 2ND WHEEL (32T) | 1 | 1 | 1 | 1 | |
| 15 | 5AP-17231-00 | GEAR, 3RD WHEEL (25T) | 1 | 1 | 1 | 1 | |
| 16 | 90201-20266 | WASHER, PLATE (T=1.0) | 1 | 1 | 1 | 1 | |
| 17 | 93410-20038 | CIRCLIP | 1 | 1 | 1 | 1 | |
| 18 | 5AP-17241-00 | GEAR, 4TH WHEEL (23T) | 1 | 1 | 1 | 1 | |
| 19 | 5AP-17211-00 | GEAR, 1ST WHEEL (37T) | 1 | 1 | 1 | 1 | |
| 20 | 90201-15700 | WASHER, PLATE | 1 | 1 | 1 | 1 | |
| 21 | 99009-15400 | CIRCLIP | 1 | 1 | 1 | 1 | |
| 22 | 90201-20272 | WASHER, PLATE | 1 | 1 | 1 | 1 | |
| 23 | 93306-20401 | BEARING (B6204) | 1 | 1 | 1 | 1 | |
| 24 | 93102-20143 | OIL SEAL | 1 | 1 | 1 | 1 | |
| 25 | 93306-20218 | BEARING (6202A18DLA8NX5) | 1 | 1 | 1 | 1 | NSK |
| 26 | 93822-13213 | SPROCKET, DRIVE (13T) | 1 | 1 | 1 | 1 | |
| 27 | 5HP-17456-00 | HOLDER, SPROCKET | 1 | 1 | 1 | 1 | |

FIG. 13 TRANSMISSION



5HP1100-0130

| REF. NO. | PART NO. | DESCRIPTION | 5HPB | 5HPC | 5HPD | 5HPE | REMARKS |
|----------|-------------|-------------|------|------|------|------|---------|
| 28 | 91317-05010 | BOLT | 2 | 2 | 2 | 2 | |
| ----- | | | | | | | |
| ----- | | | | | | | |
| ----- | | | | | | | |
| ----- | | | | | | | |
| ----- | | | | | | | |
| ----- | | | | | | | |
| ----- | | | | | | | |
| ----- | | | | | | | |
| ----- | | | | | | | |
| ----- | | | | | | | |

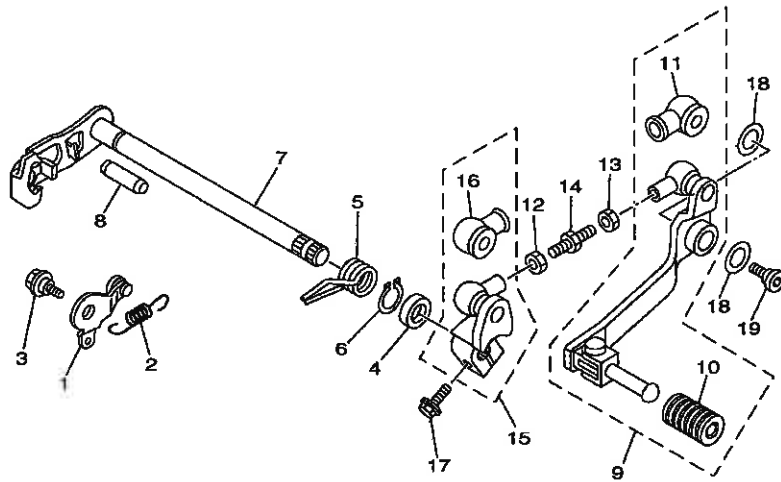


FIG. 15 SHIFT SHAFT

| REF. NO. | PART NO. | DESCRIPTION | 5HPB | 5HPC | 5HPD | 5HPE | REMARKS |
|----------|--------------|------------------------|------|------|------|------|---------|
| 1 | 5AP-18140-00 | STOPPER LEVER ASSY | 1 | 1 | 1 | 1 | |
| 2 | 5AP-18337-00 | SPRING | 1 | 1 | 1 | 1 | |
| 3 | 90109-063F7 | BOLT | 1 | 1 | 1 | 1 | |
| 4 | 93101-12173 | OIL SEAL | 1 | 1 | 1 | 1 | |
| 5 | 90508-32642 | SPRING, TORSION | 1 | 1 | 1 | 1 | |
| 6 | 99001-10600 | CIRCLIP | 1 | 1 | 1 | 1 | |
| 7 | 5AP-18101-00 | SHIFT SHAFT ASSY | 1 | 1 | 1 | 1 | |
| 8 | 93608-30152 | PIN, DOWEL | 1 | 1 | 1 | 1 | |
| 9 | 5HP-18110-00 | SHIFT PEDAL ASSY | 1 | 1 | 1 | 1 | |
| 10 | 1W6-18113-00 | .COVER, SHIFT PEDAL | 1 | 1 | 1 | 1 | |
| 11 | 2H9-18154-00 | .COVER, DUST | 1 | 1 | 1 | 1 | |
| 12 | 95304-06700 | NUT | 1 | 1 | 1 | 1 | |
| 13 | 90170-08228 | NUT(COUNTER CLOCKWISE) | 1 | 1 | 1 | 1 | |
| 14 | 2KW-18115-00 | ROD, SHIFT | 1 | 1 | 1 | 1 | |
| 15 | 5HP-18112-00 | ARM, SHIFT | 1 | 1 | 1 | 1 | |
| 16 | 2H9-18154-00 | .COVER, DUST | 1 | 1 | 1 | 1 | |
| 17 | 95827-06020 | BOLT, FLANGE | 1 | 1 | 1 | 1 | |
| 18 | 90201-127J6 | WASHER, PLATE | 2 | 2 | 2 | 2 | |
| 19 | 90109-065F3 | BOLT | 1 | 1 | 1 | 1 | |



5HP1100-0150

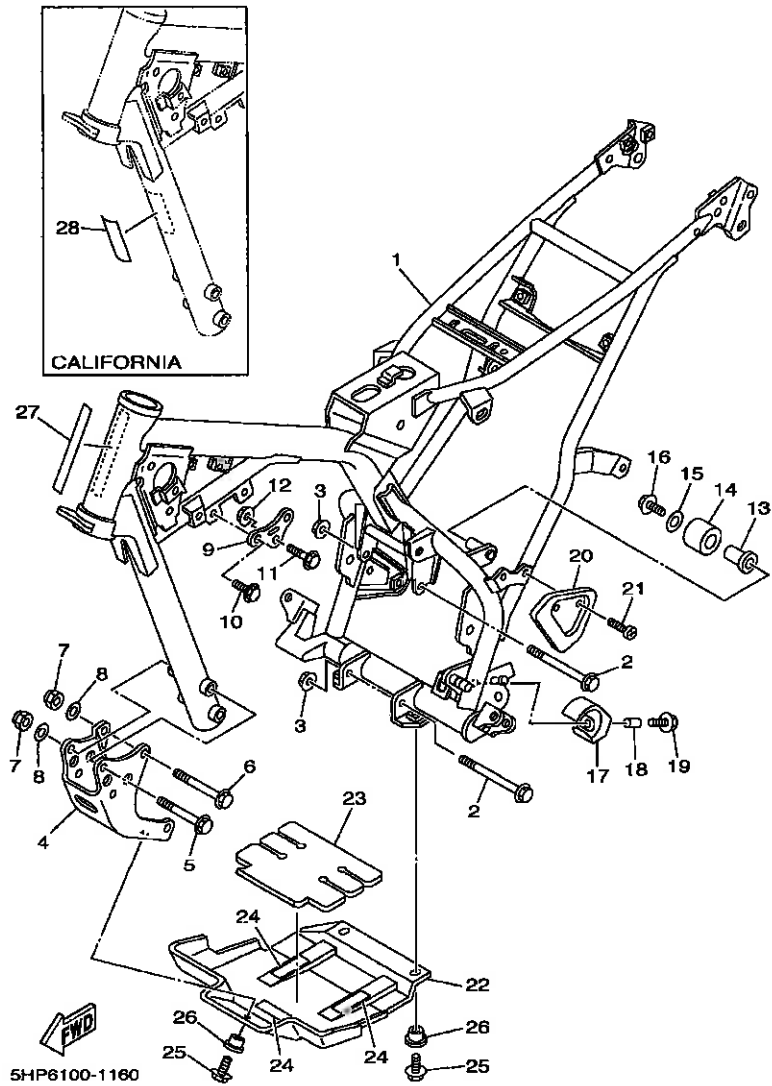
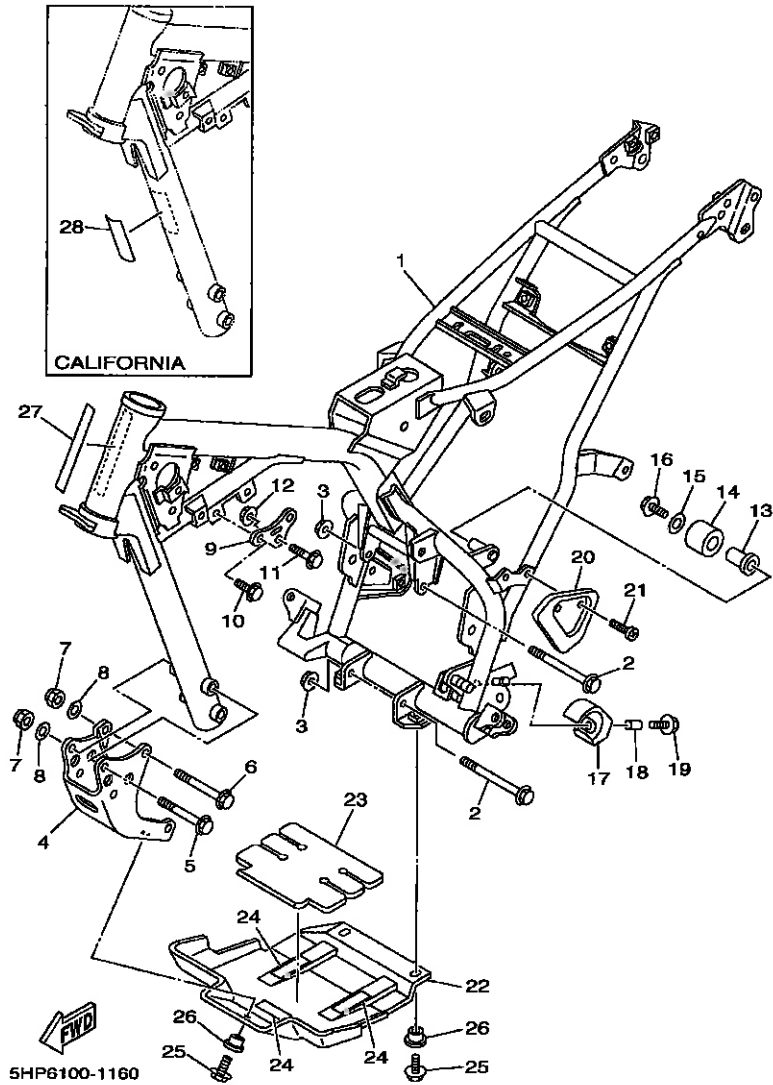


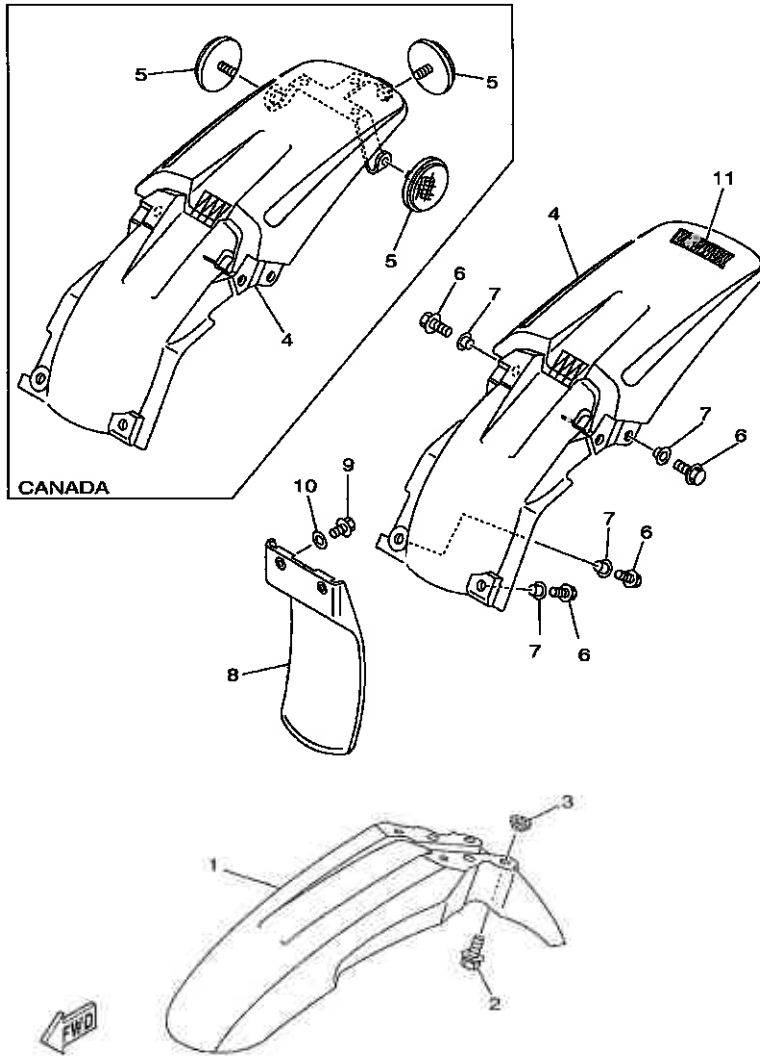
FIG. 16 FRAME

| REF. NO. | PART NO. | DESCRIPTION | 5HPB | 5HPC | 5HPD | 5HPE | REMARKS |
|----------|--------------|-------------------|------|------|------|------|---------|
| 1 | 5HP-21110-01 | FRAME COMP. | 1 | 1 | 1 | 1 | |
| 2 | 90105-08007 | BOLT, FLANGE | 2 | 2 | 2 | 2 | |
| 3 | 90185-08169 | NUT, SELF-LOCKING | 2 | 2 | 2 | 2 | |
| 4 | 5HP-21316-00 | STAY, ENGINE 3 | 1 | 1 | 1 | 1 | |
| 5 | 90105-084A1 | BOLT, FLANGE | 2 | 2 | 2 | 2 | |
| 6 | 90105-08011 | BOLT, FLANGE | 2 | 2 | 2 | 2 | |
| 7 | 95617-08100 | NUT, U | 4 | 4 | 4 | 4 | |
| 8 | 90201-086P8 | WASHER, PLATE | 4 | 4 | 4 | 4 | |
| 9 | 5HP-21315-00 | STAY, ENGINE 2 | 1 | 1 | 1 | 1 | |
| 10 | 90105-082A0 | BOLT, FLANGE | 2 | 2 | 2 | 2 | |
| 11 | 90105-08002 | BOLT, FLANGE | 1 | 1 | 1 | 1 | |
| 12 | 90185-08169 | NUT, SELF-LOCKING | 1 | 1 | 1 | 1 | |
| 13 | 10V-22184-00 | BUSH | 1 | 1 | 1 | 1 | |
| 14 | 30X-22178-00 | TENSIONER | 1 | 1 | 1 | 1 | |
| 15 | 90201-08753 | WASHER, PLATE | 1 | 1 | 1 | 1 | |
| 16 | 95027-08012 | BOLT, FLANGE | 1 | 1 | 1 | 1 | |
| 17 | 4ES-22178-00 | TENSIONER | 1 | 1 | 1 | 1 | |
| 18 | 90387-060A3 | COLLAR | 1 | 1 | 1 | 1 | |
| 19 | 90119-06118 | BOLT, WITH WASHER | 1 | 1 | 1 | 1 | |
| 20 | 5HP-2117F-00 | COVER | 1 | 1 | 1 | 1 | |
| 21 | 98904-06010 | SCREW, BIND | 2 | 2 | 2 | 2 | |
| 22 | 5HP-21471-00 | PROTECTOR, ENGINE | 1 | 1 | 1 | 1 | |
| 23 | 5HP-21485-00 | DAMPER, RUBBER 1 | 1 | 1 | 1 | 1 | |
| 24 | 5HP-21268-00 | SEAL | 3 | 3 | 3 | 3 | |
| 25 | 95807-06016 | BOLT, FLANGE | 3 | 3 | 3 | 3 | |
| 26 | 90387-06681 | COLLAR | 3 | 3 | 3 | 3 | |
| 27 | 5HP-2179X-00 | PLATE, EPA (U50) | 1 | 1 | | | |

FIG. 16 FRAME



| REF. NO. | PART NO. | DESCRIPTION | 5HPB | 5HPC | 5HPD | 5HPE | REMARKS |
|----------|--------------|--------------------------|------|------|------|------|---------|
| 28 | 5HP-2179T-20 | PLATE, EPA 3(CALIFORNIA) | 1 | | 1 | | |
| | | | | | | | |
| | | | | | | | |
| | | | | | | | |
| | | | | | | | |
| | | | | | | | |
| | | | | | | | |
| | | | | | | | |
| | | | | | | | |
| | | | | | | | |



5HP1100-0170

FIG. 17 FENDER

| REF. NO. | PART NO. | DESCRIPTION | 5HPB | 5HPC | 5HPD | 5HPE | REMARKS |
|----------|--------------|-------------------|------|------|------|------|---------|
| 1 | 5HP-21511-00 | FENDER, FRONT | 1 | 1 | 1 | 1 | |
| 2 | 90119-06063 | BOLT, WITH WASHER | 4 | 4 | 4 | 4 | |
| 3 | 90209-06187 | WASHER | 4 | 4 | 4 | 4 | |
| 4 | 4ES-21611-10 | FENDER, REAR | 1 | | 1 | | |
| | 5HP-21610-00 | REAR FENDER COMP. | | | 1 | 1 | |
| 5 | 449-85131-02 | REFLECTOR, REAR 1 | | 3 | | 3 | |
| 6 | 90105-06690 | BOLT, FLANGE | 4 | 4 | 4 | 4 | |
| 7 | 90387-064X4 | COLLAR | 4 | 4 | 4 | 4 | |
| 8 | 4ES-21642-00 | GUARD, FLAP | 1 | 1 | 1 | 1 | |
| 9 | 90105-06690 | BOLT, FLANGE | 2 | 2 | 2 | 2 | |
| 10 | 90201-064H0 | WASHER, PLATE | 2 | 2 | 2 | 2 | |
| 11 | 99241-00080 | EMBLEM, YAMAHA | 1 | | 1 | | |

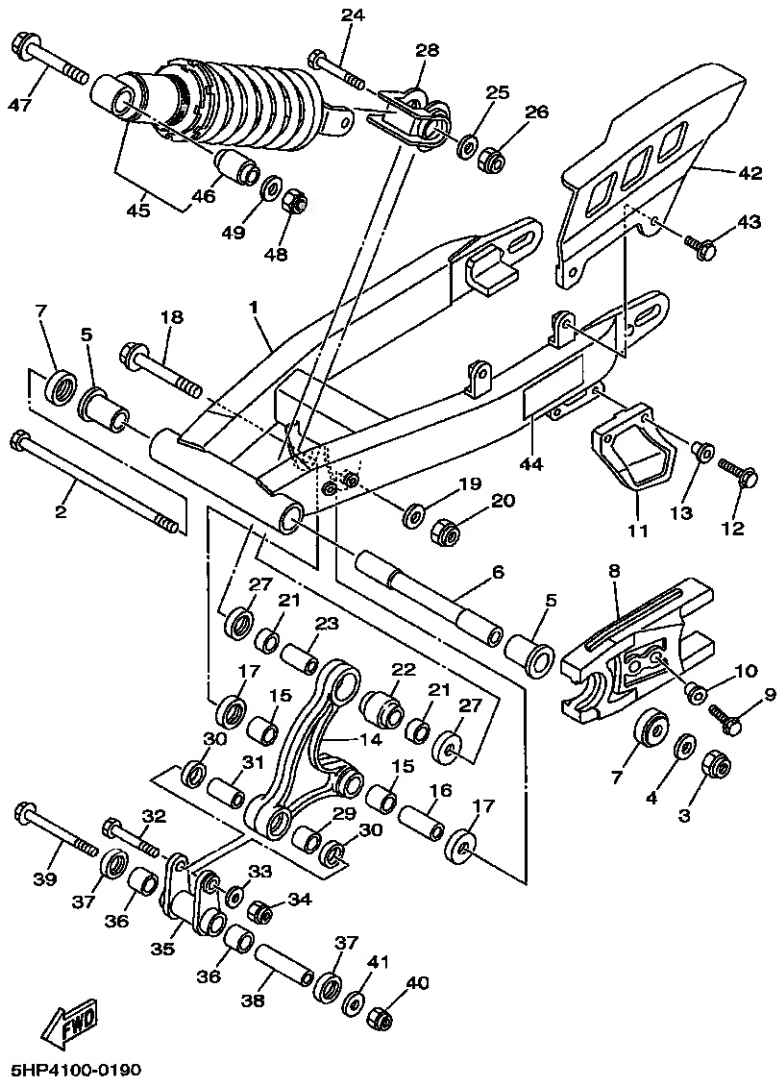
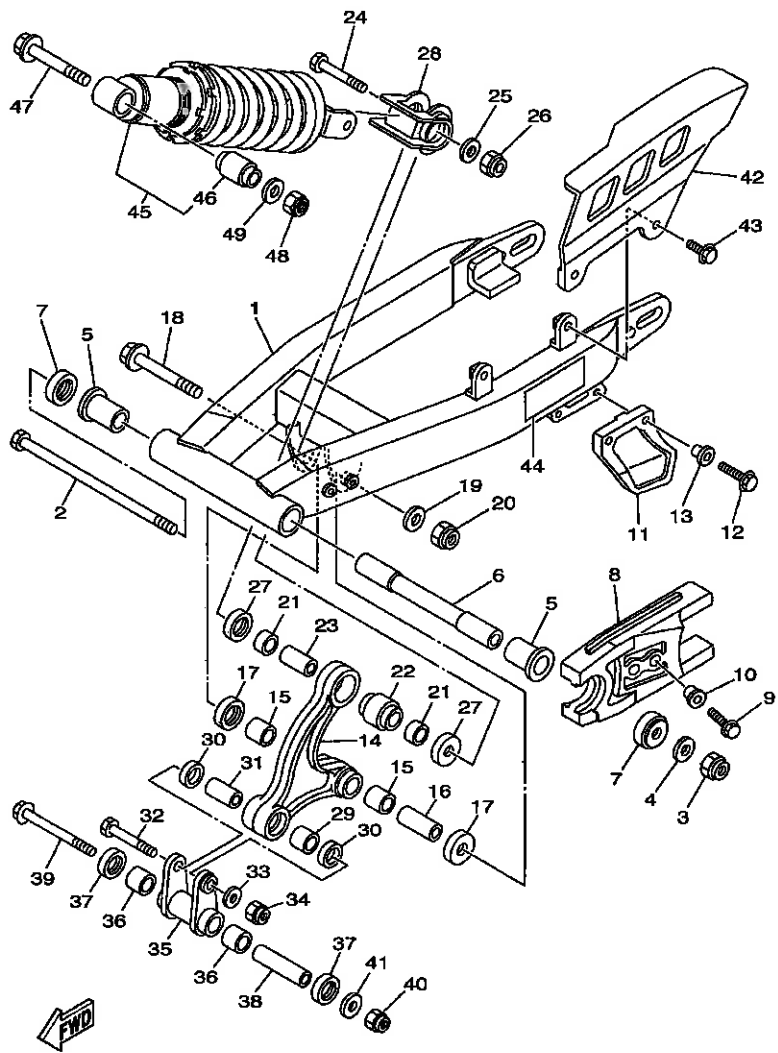


FIG. 19 REAR ARM. SUSPENSION

| REF. NO. | PART NO. | DESCRIPTION | 5HPB | 5HPC | 5HPD | 5HPE | REMARKS |
|----------|--------------|----------------------|------|------|------|------|---------|
| 1 | 5HP-22110-00 | REAR ARM COMP. | 1 | 1 | | | |
| | 5HP-22110-10 | REAR ARM COMP. | | | 1 | 1 | |
| 2 | 2N4-22141-00 | SHAFT, PIVOT | 1 | 1 | 1 | 1 | |
| 3 | 95617-12100 | NUT, U | 1 | 1 | 1 | 1 | |
| 4 | 90201-124G9 | WASHER, PLATE | 1 | 1 | 1 | 1 | |
| 5 | 90386-18099 | BUSH | 2 | 2 | 2 | 2 | |
| 6 | 90389-12002 | BUSH | 1 | 1 | 1 | 1 | |
| 7 | 401-22128-01 | SEAL, GUARD | 2 | 2 | 2 | 2 | |
| 8 | 5HP-22151-00 | SEAL, GUARD | 1 | 1 | 1 | 1 | |
| 9 | 95807-06020 | BOLT, FLANGE | 2 | 2 | 2 | 2 | |
| 10 | 90387-062X0 | COLLAR | 2 | 2 | 2 | 2 | |
| 11 | 36V-22199-00 | SUPPORT, CHAIN | 1 | 1 | 1 | 1 | |
| 12 | 95807-06016 | BOLT, FLANGE | 2 | 2 | 2 | 2 | |
| 13 | 90387-06737 | COLLAR | 2 | 2 | 2 | 2 | |
| 14 | 39K-2217A-00 | ARM, RELAY | 1 | 1 | 1 | 1 | |
| 15 | 90384-18190 | BUSH, BIMETAL FORMED | 2 | 2 | 2 | 2 | |
| 16 | 2J5-22124-00 | BUSH 2 | 1 | 1 | 1 | 1 | |
| 17 | 5X6-22129-00 | COVER, THRUST 2 | 2 | 2 | 2 | 2 | |
| 18 | 90105-12680 | BOLT, FLANGE | 1 | 1 | 1 | 1 | |
| 19 | 90201-124G9 | WASHER, PLATE | 1 | 1 | 1 | 1 | |
| 20 | 95617-12100 | NUT, U | 1 | 1 | 1 | 1 | |
| 21 | 90380-16109 | BUSH, SOLID | 2 | 2 | 2 | 2 | |
| 22 | 22W-22124-00 | BUSH 2 | 1 | 1 | 1 | 1 | |
| 23 | 90387-106G0 | COLLAR | 1 | 1 | 1 | 1 | |
| 24 | 90109-10689 | BOLT | 1 | 1 | 1 | 1 | |
| 25 | 90201-10430 | WASHER, PLATE | 1 | 1 | 1 | 1 | |
| 26 | 90185-10120 | NUT, SELF-LOCKING | 1 | 1 | 1 | 1 | |

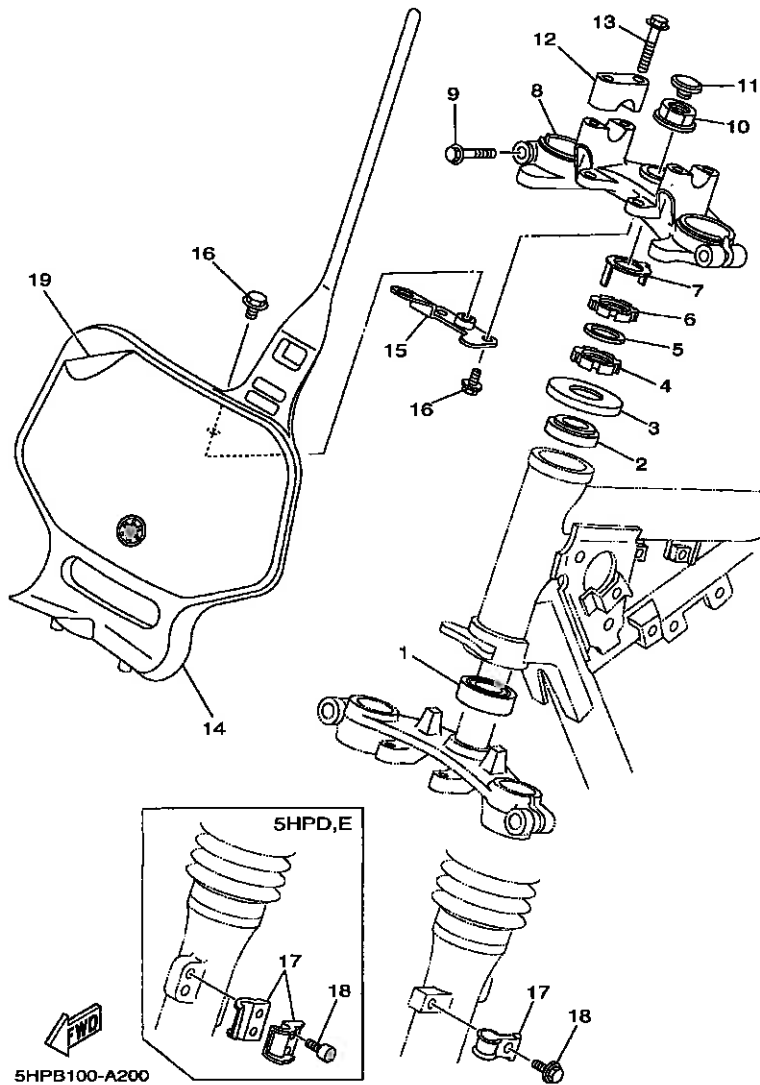


5HP4100-0190

FIG. 19 REAR ARM. SUSPENSION

| REF. NO. | PART NO. | DESCRIPTION | 5HPB | 5HPC | 5HPD | 5HPE | REMARKS |
|----------|--------------|----------------------------|------|------|------|------|----------------|
| 27 | 22W-22129-00 | COVER, THRUST 2 | 2 | 2 | 2 | 2 | |
| 28 | 22W-22189-00 | BOOT, RUBBER | 1 | 1 | 1 | 1 | |
| 29 | 90383-16023 | BUSH, FORMED | 1 | 1 | 1 | 1 | |
| 30 | 93109-16035 | SEAL ,OIL | 2 | 2 | 2 | 2 | |
| 31 | 90387-106G0 | COLLAR | 1 | 1 | 1 | 1 | |
| 32 | 90109-10689 | BOLT | 1 | 1 | 1 | 1 | |
| 33 | 90201-10430 | WASHER, PLATE | 1 | 1 | 1 | 1 | |
| 34 | 90185-10120 | NUT, SELF-LOCKING | 1 | 1 | 1 | 1 | |
| 35 | 22W-2217F-00 | ROD, CONNECTING 1 | 1 | 1 | 1 | 1 | |
| 36 | 90383-16023 | BUSH, FORMED | 2 | 2 | 2 | 2 | |
| 37 | 22W-22129-00 | COVER, THRUST 2 | 2 | 2 | 2 | 2 | |
| 38 | 90387-105G9 | COLLAR | 1 | 1 | 1 | 1 | |
| 39 | 90105-10392 | BOLT, FLANGE | 1 | 1 | 1 | 1 | |
| 40 | 90185-10120 | NUT, SELF-LOCKING | 1 | 1 | 1 | 1 | |
| 41 | 90201-10430 | WASHER, PLATE | 1 | 1 | 1 | 1 | |
| 42 | 5HP-22311-00 | CASE, CHAIN | 1 | 1 | 1 | 1 | |
| 43 | 90119-06205 | BOLT, WITH WASHER | 2 | 2 | 2 | 2 | |
| 44 | 3XJ-21668-10 | LABEL, TIRE | 1 | | 1 | | FOR JAPAN |
| 45 | 5HP-22210-00 | SHOCK ABSORBER ASSY, REAR | 1 | | | | FOR USA |
| | 5HP-22210-30 | SHOCK ABSORBER ASSY, REAR | 1 | | | | EXCEPT FOR USA |
| | 5HP-22210-40 | SHOCK ABSORBER ASSY, REAR | 1 | | | | FOR JAPAN |
| | 5HP-22210-20 | SHOCK ABSORBER ASSY, REAR | | 1 | | | |
| | 5HP-22210-50 | SHOCK ABSORBER ASSY, REAR | | | 1 | | FOR USA |
| | 5HP-22210-70 | SHOCK ABSORBER ASSY, REAR | | | 1 | | EXCEPT FOR USA |
| | 5HP-22210-80 | SHOCK ABSORBER ASSY, REAR | | | 1 | | FOR JAPAN |
| | 5HP-22210-60 | SHOCK ABSORBER ASSY, REAR | | | | 1 | |
| 46 | 2YK-22216-00 | .BUSH, REAR SHOCK ABSORBER | 1 | 1 | 1 | 1 | |

FIG. 20 STEERING



| REF. NO. | PART NO. | DESCRIPTION | 5HPB | 5HFC | 5HPD | 5HPE | REMARKS |
|----------|-----------------|----------------------|------|------|------|------|---------|
| 1 | 93332-00079 | BEARING | 1 | 1 | 1 | 1 | |
| 2 | 93399-99949 | BEARING | 1 | 1 | 1 | 1 | |
| 3 | 5HP-23416-00 | COVER, BALL RACE 2 | 1 | 1 | 1 | 1 | |
| 4 | 90179-25033 | NUT | 1 | 1 | 1 | 1 | |
| 5 | 90202-26142 | WASHER, PLATE | 1 | 1 | 1 | 1 | |
| 6 | 90179-25815 | NUT | 1 | 1 | 1 | 1 | |
| 7 | 3YF-23418-00 | WASHER, SPECIAL | 1 | 1 | 1 | 1 | |
| 8 | 5HP-23435-00 | CROWN, HANDLE | 1 | 1 | 1 | 1 | |
| 9 | 95024-08035 | BOLT, FLANGE | 2 | 2 | 2 | 2 | |
| 10 | 90179-22412 | NUT | 1 | 1 | 1 | 1 | |
| 11 | 5HP-2319U-00 | CAP | 1 | 1 | 1 | 1 | |
| 12 | 1E6-23441-10-35 | HOLDER, HANDLE UPPER | 2 | 2 | 2 | 2 | SL |
| 13 | 95024-08035 | BOLT, FLANGE | 4 | 4 | 4 | 4 | |
| 14 | 4ES-23485-20 | PLATE, NUMBER | 1 | 1 | 1 | 1 | |
| 15 | 5HP-23486-00 | STAY, PLATE | 1 | 1 | 1 | 1 | |
| 16 | 95827-06012 | BOLT, FLANGE | 3 | 3 | 3 | 3 | |
| 17 | 3Y1-23319-00 | HOLDER, CABLE 2 | 1 | 1 | | | |
| | 90465-14242 | CLAMP | | | 2 | 2 | |
| 18 | 95807-06012 | BOLT, FLANGE | 1 | 1 | | | |
| | 91317-06016 | BOLT | | | 2 | 2 | |
| 19 | 5HP-2339E-10 | GRAPHIC 1 | 1 | 1 | 1 | 1 | |

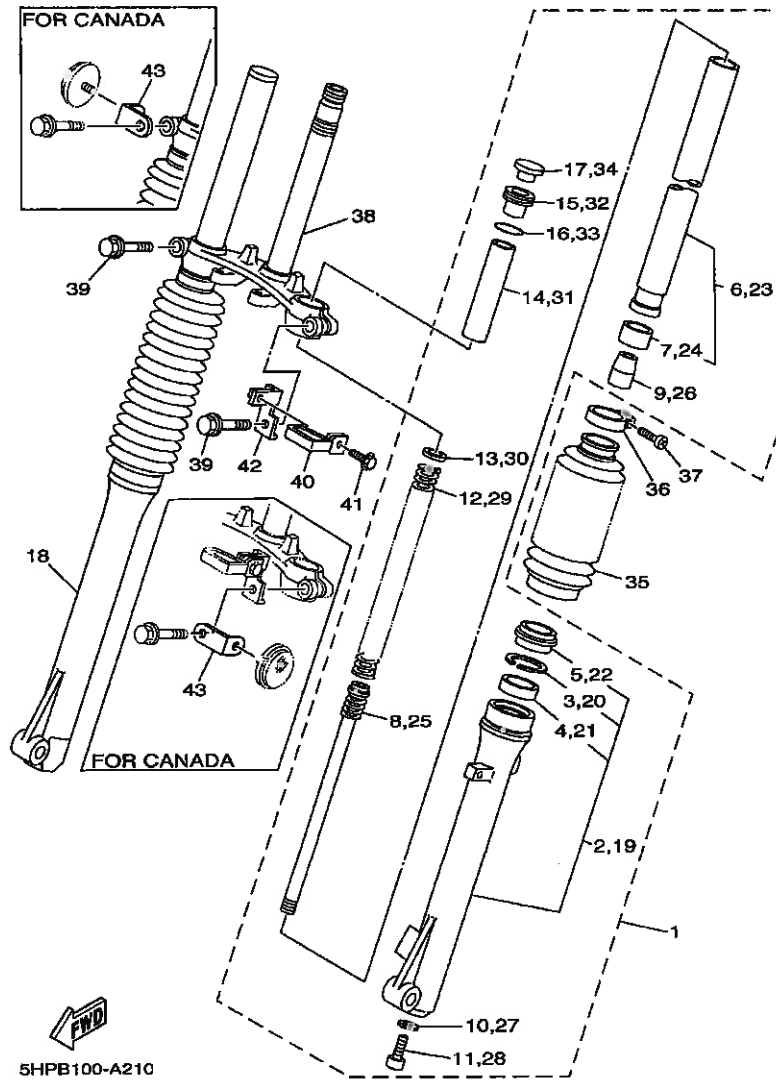


FIG. 21 FRONT FORK

| REF. NO. | PART NO. | DESCRIPTION | 5HPB | 5HPC | 5HPD | 5HPE | REMARKS |
|----------|--------------|------------------------------|------|------|------|------|---------|
| 1 | 5HP-23102-00 | FRONT FORK ASSY (L.H) | 1 | 1 | | | |
| 2 | 5HP-23106-00 | .OUTER TUBE COMP. (L.H) | 1 | 1 | | | |
| 3 | 3V3-23156-00 | ..CLIP, OIL SEAL | 1 | 1 | | | |
| 4 | 33J-23145-00 | ..OIL SEAL | 1 | 1 | | | |
| 5 | 33J-23144-00 | ..SEAL, DUST | 1 | 1 | | | |
| 6 | 5HP-23110-00 | .INNER TUBE COMP.1 | 1 | 1 | | | |
| 7 | 17W-23171-00 | ..PISTON, FRONT FORK | 1 | 1 | | | |
| 8 | 5HP-23170-00 | ..CYLINDER COMP., FRONT FORK | 1 | 1 | | | |
| 9 | 2K5-23173-00 | ..SPINDLE, TAPER | 1 | 1 | | | |
| 10 | 509-23158-L0 | ..GASKET | 1 | 1 | | | |
| 11 | 278-23181-50 | ..BOLT, HEXAGON SOCKET HEAD | 1 | 1 | | | |
| 12 | 5HP-23141-00 | ..SPRING, FRONT FORK | 1 | 1 | | | |
| 13 | 5J0-23146-00 | ..WASHER, OIL SEAL | 1 | 1 | | | |
| 14 | 17W-23118-00 | ..SPACER | 1 | 1 | | | |
| 15 | 1X0-23111-00 | ..BOLT, CAP | 1 | 1 | | | |
| 16 | 146-23114-00 | ..O-RING | 1 | 1 | | | |
| 17 | 1X0-23168-00 | ..CAP, FRONT FORK | 1 | 1 | | | |
| 18 | 5HP-23103-00 | FRONT FORK ASSY (R.H) | 1 | 1 | | | |
| 19 | 5HP-23107-00 | ..OUTER TUBE COMP. (R.H) | 1 | 1 | | | |
| 20 | 3V3-23156-00 | ..CLIP, OIL SEAL | 1 | 1 | | | |
| 21 | 33J-23145-00 | ..OIL SEAL | 1 | 1 | | | |
| 22 | 33J-23144-00 | ..SEAL, DUST | 1 | 1 | | | |
| 23 | 5HP-23110-00 | .INNER TUBE COMP.1 | 1 | 1 | | | |
| 24 | 17W-23171-00 | ..PISTON, FRONT FORK | 1 | 1 | | | |
| 25 | 5HP-23170-00 | ..CYLINDER COMP., FRONT FORK | 1 | 1 | | | |
| 26 | 2K5-23173-00 | ..SPINDLE, TAPER | 1 | 1 | | | |
| 27 | 509-23158-L0 | ..GASKET | 1 | 1 | | | |

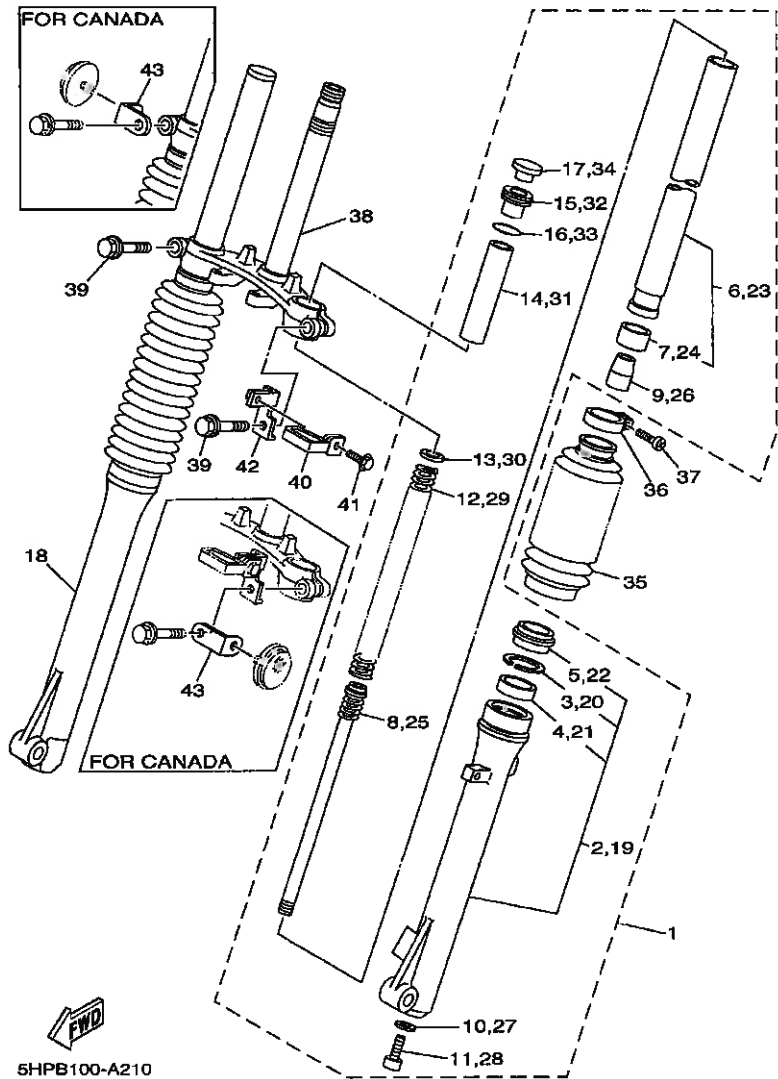


FIG. 21 FRONT FORK

| REF. NO. | PART NO. | DESCRIPTION | 5HPB | 5HFC | 5HFD | 5HFE | REMARKS |
|----------|--------------|----------------------------|------|------|------|------|---------|
| 28 | 278-23181-50 | .BOLT, HEXAGON SOCKET HEAD | 1 | 1 | | | |
| 29 | 5HP-23141-00 | .SPRING, FRONT FORK | 1 | 1 | | | |
| 30 | 5J0-23146-00 | .WASHER, OIL SEAL | 1 | 1 | | | |
| 31 | 17W-23118-00 | .SPACER | 1 | 1 | | | |
| 32 | 1X0-23111-00 | .BOLT, CAP | 1 | 1 | | | |
| 33 | 148-23114-00 | .O-RING | 1 | 1 | | | |
| 34 | 1X0-23168-00 | .CAP, FRONT FORK | 1 | 1 | | | |
| 35 | 5HP-23191-00 | BOOT | 2 | 2 | | | |
| 36 | 482-23192-40 | BAND | 2 | 2 | | | |
| 37 | 98501-04016 | SCREW, PAN HEAD | 2 | 2 | | | |
| 38 | 5HP-23340-00 | UNDER BRACKET COMP. | 1 | 1 | | | |
| 39 | 51Y-23128-00 | BOLT, AXLE HOLDER | 2 | 2 | | | |
| 40 | 4DA-23389-00 | GUIDE, CABLE | 1 | 1 | | | |
| 41 | 90119-05071 | BOLT, WITH WASHER | 1 | 1 | | | |
| 42 | 5HP-2331E-00 | GUIDE, CABLE | 1 | 1 | | | |
| 43 | 5HP-85112-00 | BRACKET, REFLECTOR 1 | | 2 | | | |

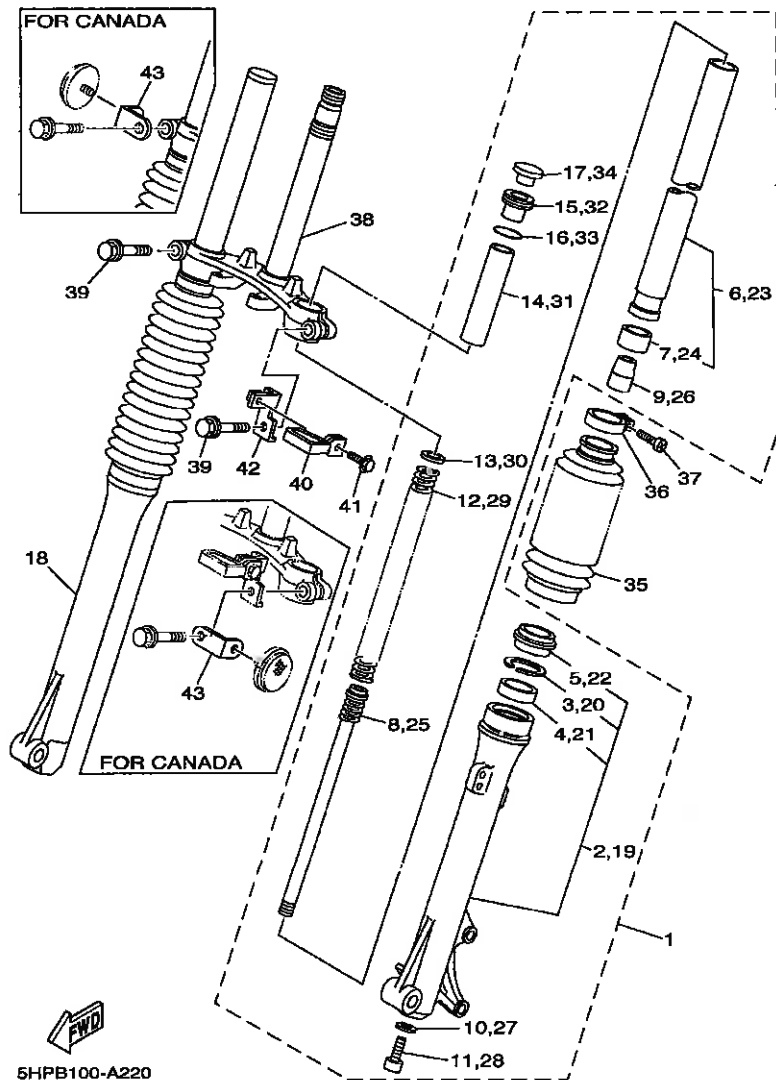


FIG. 22 FRONT FORK 2

| REF. NO. | PART NO. | DESCRIPTION | 5HPB | 5HPC | 5HPD | 5HPE | REMARKS |
|----------|--------------|-----------------------------|------|------|------|------|---------|
| | | | | | | | |
| 1 | 5HP-23102-10 | FRONT FORK ASSY (L.H) | | | 1 | 1 | |
| 2 | 5HP-23106-10 | .OUTER TUBE COMP. (L.H) | | | 1 | 1 | |
| 3 | 3V3-23156-00 | ..CLIP, OIL SEAL | | | 1 | 1 | |
| 4 | 33J-23145-00 | ..OIL SEAL | | | 1 | 1 | |
| 5 | 33J-23144-00 | ..SEAL, DUST | | | 1 | 1 | |
| 6 | 5HP-23110-00 | .INNER TUBE COMP.1 | | | 1 | 1 | |
| 7 | 17W-23171-00 | ..PISTON, FRONT FORK | | | 1 | 1 | |
| 8 | 5HP-23170-10 | .CYLINDER COMP., FRONT FORK | | | 1 | 1 | |
| 9 | 2K5-23173-00 | .SPINDLE, TAPER | | | 1 | 1 | |
| 10 | 509-23158-L0 | .GASKET | | | 1 | 1 | |
| 11 | 278-23181-50 | .BOLT, HEXAGON SOCKET HEAD | | | 1 | 1 | |
| 12 | 5HP-23141-10 | .SPRING, FRONT FORK | | | 1 | 1 | |
| 13 | 5J0-23146-00 | .WASHER, OIL SEAL | | | 1 | 1 | |
| 14 | 5HP-23118-10 | .SPACER | | | 1 | 1 | |
| 15 | 1X0-23111-00 | .BOLT, CAP | | | 1 | 1 | |
| 16 | 146-23114-00 | .O-RING | | | 1 | 1 | |
| 17 | 1X0-23168-00 | .CAP, FRONT FORK | | | 1 | 1 | |
| 18 | 5HP-23103-10 | FRONT FORK ASSY (R.H) | | | 1 | 1 | |
| 19 | 5HP-23107-10 | .OUTER TUBE COMP. (R.H) | | | 1 | 1 | |
| 20 | 3V3-23156-00 | ..CLIP, OIL SEAL | | | 1 | 1 | |
| 21 | 33J-23145-00 | ..OIL SEAL | | | 1 | 1 | |
| 22 | 33J-23144-00 | ..SEAL, DUST | | | 1 | 1 | |
| 23 | 5HP-23110-00 | .INNER TUBE COMP.1 | | | 1 | 1 | |
| 24 | 17W-23171-00 | ..PISTON, FRONT FORK | | | 1 | 1 | |
| 25 | 5HP-23170-10 | .CYLINDER COMP., FRONT FORK | | | 1 | 1 | |
| 26 | 2K5-23173-00 | .SPINDLE, TAPER | | | 1 | 1 | |
| 27 | 509-23158-L0 | .GASKET | | | 1 | 1 | |

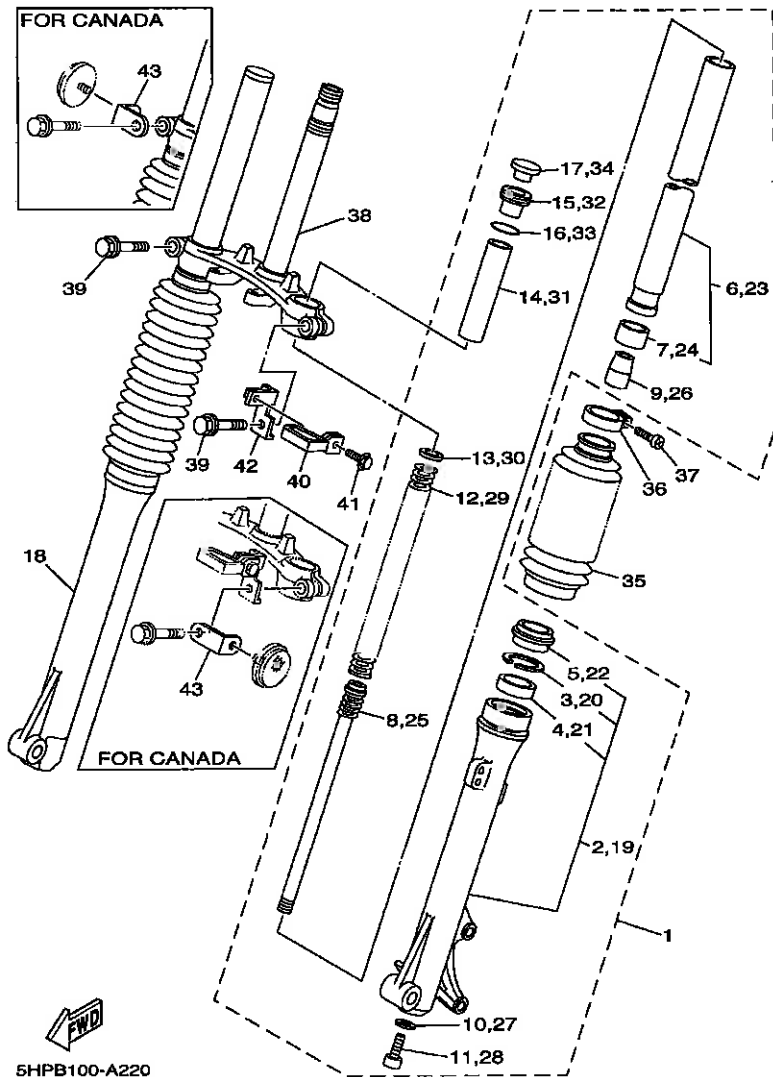


FIG. 22 FRONT FORK 2

| REF. NO. | PART NO. | DESCRIPTION | 5HPB | 5HPC | 5HPD | 5HPE | REMARKS |
|----------|--------------|----------------------------|------|------|------|------|---------|
| 28 | 278-23181-50 | .BOLT, HEXAGON SOCKET HEAD | | | 1 | 1 | |
| 29 | 5HP-23141-10 | .SPRING, FRONT FORK | | | 1 | 1 | |
| 30 | 5J0-23146-00 | .WASHER, OIL SEAL | | | 1 | 1 | |
| 31 | 5HP-23118-10 | .SPACER | | | 1 | 1 | |
| 32 | 1X0-23111-00 | .BOLT, CAP | | | 1 | 1 | |
| 33 | 146-23114-00 | .O-RING | | | 1 | 1 | |
| 34 | 1X0-23168-00 | .CAP, FRONT FORK | | | 1 | 1 | |
| 35 | 5HP-23191-00 | BOOT | | | 2 | 2 | |
| 36 | 482-23192-40 | BAND | | | 2 | 2 | |
| 37 | 98501-04016 | SCREW, PAN HEAD | | | 2 | 2 | |
| 38 | 5HP-23340-00 | UNDER BRACKET COMP. | | | 1 | 1 | |
| 39 | 51Y-23128-00 | BOLT, AXLE HOLDER | | | 2 | 2 | |
| 40 | 4DA-23389-00 | GUIDE, CABLE | | | 1 | 1 | |
| 41 | 90119-05071 | BOLT, WITH WASHER | | | 1 | 1 | |
| 42 | 5HP-2331E-00 | GUIDE, CABLE | | | 1 | 1 | |
| 43 | 5HP-85112-00 | BRACKET, REFLECTOR 1 | | | | 2 | |

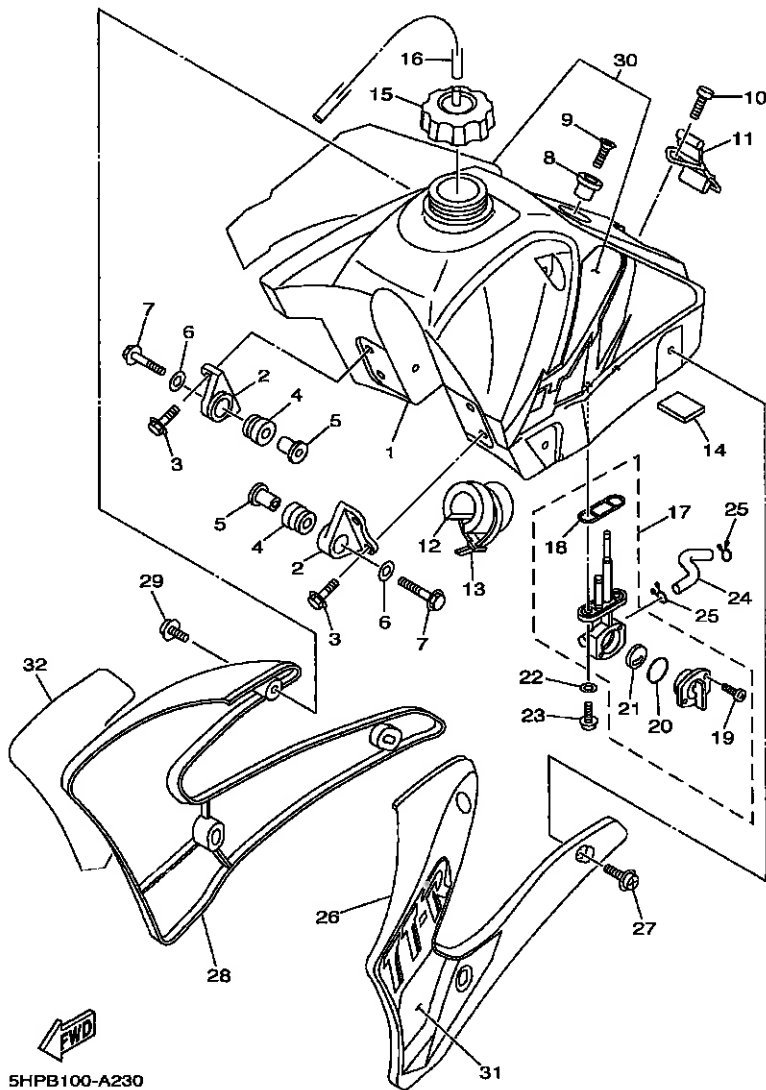
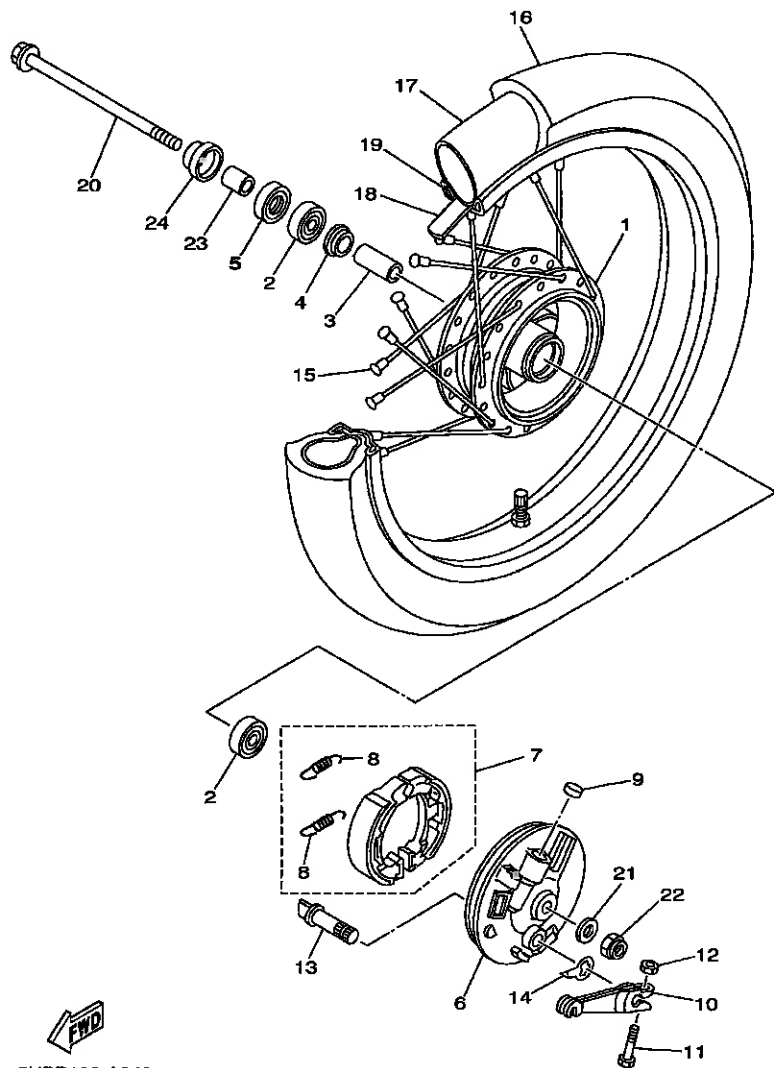


FIG. 23 FUEL TANK

| REF. NO. | PART NO. | DESCRIPTION | 5HPB | 5HPC | 5HPD | 5HPE | REMARKS |
|----------|--------------|----------------------|------|------|------|------|---------|
| | | | | | | | |
| 1 | 5HP-24110-00 | FUEL TANK COMP. | 1 | 1 | 1 | 1 | |
| 2 | 24X-24144-00 | HOLDER, DAMPER | 2 | 2 | 2 | 2 | |
| 3 | 95827-06016 | BOLT, FLANGE | 4 | 4 | 4 | 4 | |
| 4 | 90480-18549 | GROMMET | 2 | 2 | 2 | 2 | |
| 5 | 3JD-24186-00 | WASHER, SPECIAL | 2 | 2 | 2 | 2 | |
| 6 | 90201-06071 | WASHER, PLATE | 2 | 2 | 2 | 2 | |
| 7 | 95827-06030 | BOLT, FLANGE | 2 | 2 | 2 | 2 | |
| 8 | 4EW-2412F-00 | BRACKET, SEAT | 1 | 1 | 1 | 1 | |
| 9 | 98707-06025 | SCREW, FLAT HEAD | 1 | 1 | 1 | 1 | |
| 10 | 98907-06020 | SCREW, BIND | 1 | 1 | 1 | 1 | |
| 11 | 3SP-24173-00 | BAND, TANK FITTING 1 | 1 | 1 | 1 | 1 | |
| 12 | 26H-24145-00 | DAMPER, SIDE COVER | 1 | 1 | 1 | 1 | |
| 13 | 90485-13152 | CLAMP | 1 | 1 | 1 | 1 | |
| 14 | 1HX-28415-00 | DAMPER 1 | 1 | 1 | 1 | 1 | |
| 15 | 2FJ-24610-00 | CAP ASSY | 1 | 1 | 1 | 1 | |
| 16 | 90445-096H2 | HOSE (L280) | 1 | 1 | 1 | 1 | |
| 17 | 4X8-24500-02 | FUEL COCK ASSY 1 | 1 | 1 | 1 | 1 | |
| 18 | 4X8-24512-00 | .O-RING | 1 | 1 | 1 | 1 | |
| 19 | 97801-03008 | .SCREW, PAN HEAD | 2 | 2 | 2 | 2 | |
| 20 | 3AJ-24534-00 | .SEAL, COCK | 1 | 1 | 1 | 1 | |
| 21 | 3AJ-24523-00 | .VALVE PACKING | 1 | 1 | 1 | 1 | |
| 22 | 90202-05183 | WASHER, PLATE | 2 | 2 | 2 | 2 | |
| 23 | 90149-06011 | SCREW | 2 | 2 | 2 | 2 | |
| 24 | 90445-10007 | HOSE (L110) | 1 | 1 | 1 | 1 | |
| 25 | 90467-10008 | CLIP | 2 | 2 | 2 | 2 | |
| 26 | 5HP-2137W-00 | SCOOP, AIR 1 | 1 | 1 | 1 | 1 | |
| 27 | 90159-06182 | SCREW, WITH WASHER | 3 | 3 | 3 | 3 | |

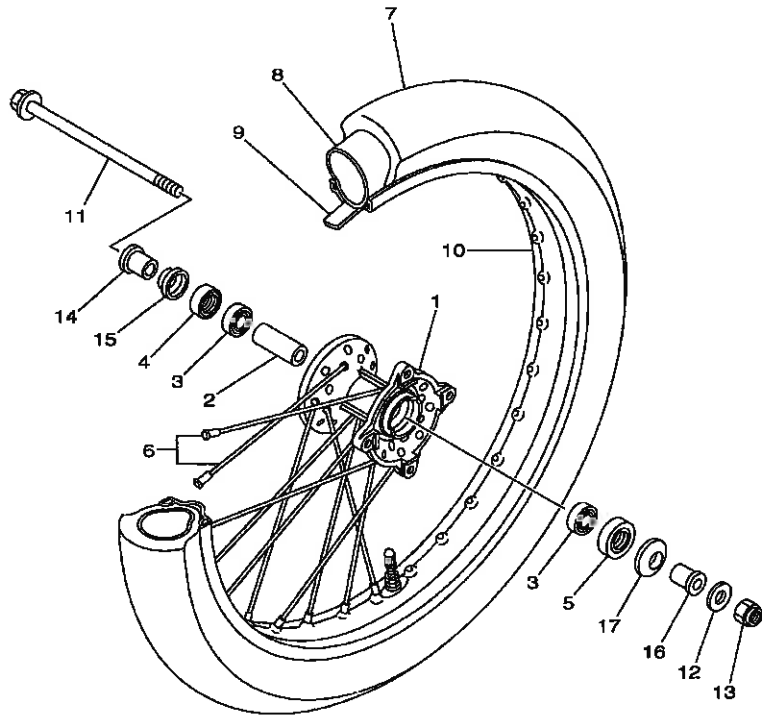


FWD
5HPB100-A240

FIG. 25 FRONT WHEEL

| REF. NO. | PART NO. | DESCRIPTION | 5HPB | 5HPC | 5HPD | 5HPE | REMARKS |
|----------|--------------|----------------------|------|------|------|------|------------|
| 1 | 248-25111-10 | HUB, FRONT | 1 | 1 | | | |
| 2 | 93306-30102 | BEARING (B6301) | 2 | 2 | | | |
| 3 | 90580-12138 | SPACER | 1 | 1 | | | |
| 4 | 109-25315-00 | FLANGE, SPACER | 1 | 1 | | | |
| 5 | 93106-20033 | OIL SEAL | 1 | 1 | | | |
| 6 | 5HP-25121-00 | PLATE, BRAKE SHOE | 1 | 1 | | | |
| 7 | 4KN-W253E-11 | BRAKE SHOE KIT | 1 | 1 | | | |
| 8 | 90506-15260 | .SPRING, TENSION | 2 | 2 | | | |
| 9 | 90338-16029 | PLUG | 1 | 1 | | | |
| 10 | 558-25155-00 | LEVER, CAMSHAFT 1 | 1 | 1 | | | |
| 11 | 90101-06278 | BOLT | 1 | 1 | | | |
| 12 | 95307-06800 | NUT | 1 | 1 | | | |
| 13 | 3Y6-25351-00 | CAMSHAFT | 1 | 1 | | | |
| 14 | 50W-2533A-00 | PLATE, INDICATOR | 1 | 1 | | | |
| 15 | 5HP-25104-00 | SPOKE SET, FRONT | 1 | 1 | | | |
| 16 | 94107-17008 | TIRE (70/100-17 40M) | 1 | 1 | | | CHENG SHIN |
| 17 | 94207-17003 | TUBE (70/100-17 TR6) | 1 | 1 | | | CHENG SHIN |
| 18 | 94307-17035 | BAND, RIM (1.40-17) | 1 | 1 | | | CHENG SHIN |
| 19 | 94414-17006 | RIM (1.40-17) | 1 | 1 | | | |
| 20 | 3UN-25181-00 | AXLE, WHEEL | 1 | 1 | | | |
| 21 | 90201-12749 | WASHER, PLATE | 1 | 1 | | | |
| 22 | 95617-12100 | NUT, U | 1 | 1 | | | |
| 23 | 90387-12096 | COLLAR | 1 | 1 | | | |
| 24 | 322-25118-00 | COVER, HUB DUST | 1 | 1 | | | |

FIG. 26 FRONT WHEEL 2

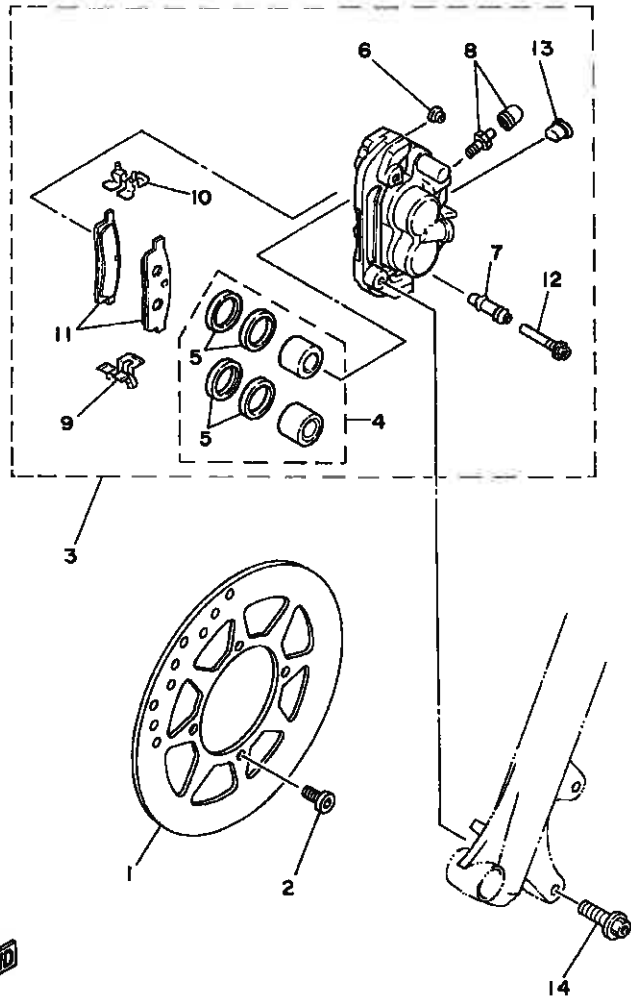


| REF. NO. | PART NO. | DESCRIPTION | SHPB | SHPC | SHPD | SHPE | REMARKS |
|----------|--------------|----------------------------|------|------|------|------|---------|
| 1 | 5HP-25111-10 | HUB, FRONT | | | 1 | 1 | |
| 2 | 90560-12257 | SPACER | | | 1 | 1 | |
| 3 | 93306-00108 | BEARING | | | 2 | 2 | |
| 4 | 93106-18013 | OIL SEAL | | | 1 | 1 | |
| 5 | 93102-18008 | OIL SEAL | | | 1 | 1 | |
| 6 | 5HP-25104-10 | SPOKE SET, FRONT | | | 1 | 1 | |
| 7 | 94107-19008 | TIRE (70/100-19 42M IX05H) | | | 1 | 1 | INOUE |
| 8 | 94225-19133 | TUBE (70/100-19 TR4) | | | 1 | 1 | INOUE |
| 9 | 94320-19089 | BAND,RIM (1.40-19) | | | 1 | 1 | INOUE |
| 10 | 94414-19002 | RIM (1.40-19) | | | 1 | 1 | |
| 11 | 3UN-25181-00 | AXLE, WHEEL | | | 1 | 1 | |
| 12 | 90201-12749 | WASHER, PLATE | | | 1 | 1 | |
| 13 | 85617-12100 | NUT, U | | | 1 | 1 | |
| 14 | 90387-126F8 | COLLAR | | | 1 | 1 | |
| 15 | 462-25118-00 | COVER, HUB DUST | | | 1 | 1 | |
| 16 | 90387-12005 | COLLAR | | | 1 | 1 | |
| 17 | 2K5-25118-00 | COVER, HUB DUST | | | 1 | 1 | |

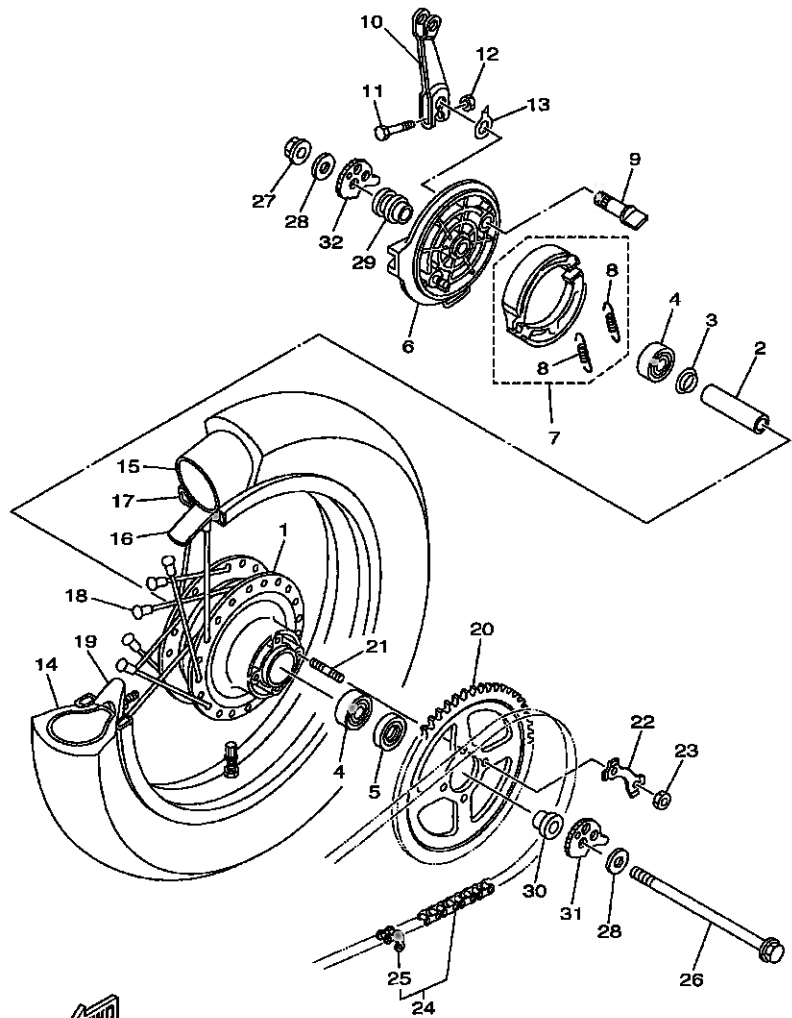

5HP4100-0240

D8

FIG. 27 FRONT BRAKE CALIPER



| REF. NO. | PART NO. | DESCRIPTION | 5HPB | 5HPC | 5HPD | 5HPE | REMARKS |
|----------|--------------|-----------------------|------|------|------|------|---------|
| 1 | 3UN-2582T-00 | DISC, BRAKE (LEFT) | | | 1 | 1 | |
| 2 | 90109-065F3 | BOLT | | | 4 | 4 | |
| 3 | 3UN-2580T-00 | CALIPER ASSY (LEFT) | | | 1 | 1 | |
| 4 | 1LR-W0057-00 | .PISTON ASSY, CALIPER | | | 1 | 1 | |
| 5 | 1LR-W0047-00 | ..CALIPER SEAL KIT | | | 1 | 1 | |
| 6 | 5R2-25937-00 | .BOOT 2 | | | 1 | 1 | |
| 7 | 56A-25937-00 | .BOOT 2 | | | 1 | 1 | |
| 8 | 51L-W0048-00 | .BLEED SCREW KIT | | | 1 | 1 | |
| 9 | 56A-25919-00 | .SUPPORT, PAD | | | 1 | 1 | |
| 10 | 56A-25919-10 | .SUPPORT, PAD | | | 1 | 1 | |
| 11 | 3UN-W0045-00 | .BRAKE PAD KIT | | | 1 | 1 | |
| 12 | 56A-25926-00 | .BOLT | | | 1 | 1 | |
| 13 | 34X-25845-00 | .CAP, INDICATOR | | | 1 | 1 | |
| 14 | 90105-08211 | BOLT, FLANGE | | | 2 | 2 | |

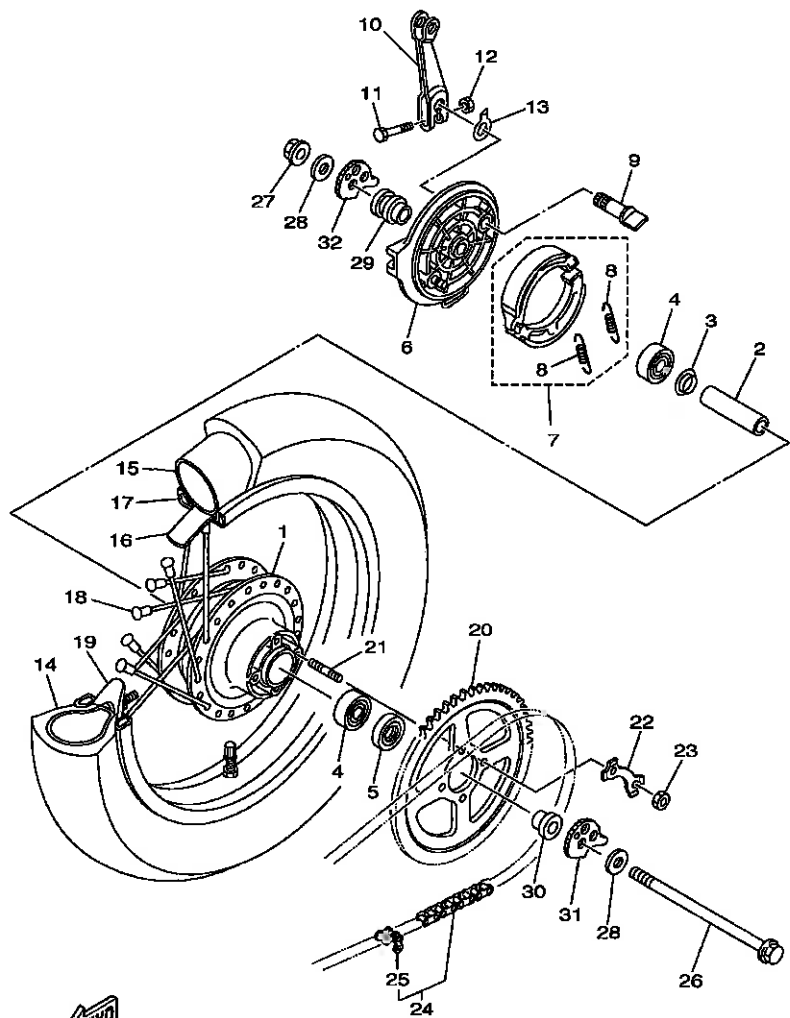


5HPB100-A250

FIG. 28 REAR WHEEL

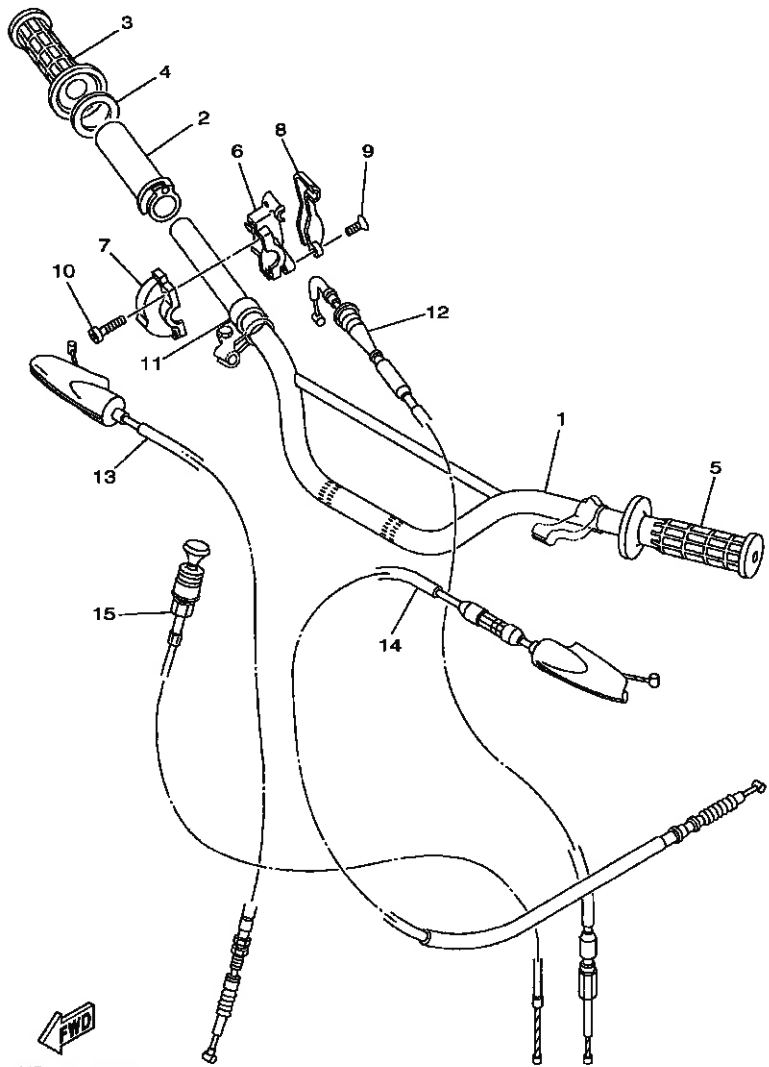
| REF. NO. | PART NO. | DESCRIPTION | 5HPB | 5HPC | 5HPD | 5HPE | REMARKS |
|----------|--------------|----------------------------|------|------|------|------|------------|
| 1 | 5HP-25311-10 | HUB, REAR | 1 | 1 | 1 | 1 | |
| 2 | 90560-12170 | SPACER | 1 | 1 | 1 | 1 | |
| 3 | 109-25315-00 | FLANGE, SPACER | 1 | 1 | 1 | 1 | |
| 4 | 93306-30111 | BEARING | 2 | 2 | 2 | 2 | |
| 5 | 93106-20033 | OIL SEAL | 1 | 1 | 1 | 1 | |
| 6 | 5HP-25321-00 | PLATE, BRAKE SHOE | 1 | 1 | 1 | 1 | |
| 7 | 4KN-W253E-11 | BRAKE SHOE KIT | 1 | 1 | 1 | 1 | |
| 8 | 90506-15260 | SPRING, TENSION | 2 | 2 | 2 | 2 | |
| 9 | 3Y6-25351-00 | CAMSHAFT | 1 | 1 | 1 | 1 | |
| 10 | 55K-25355-00 | LEVER, CAMSHAFT | 1 | 1 | 1 | 1 | |
| 11 | 90101-08278 | BOLT | 1 | 1 | 1 | 1 | |
| 12 | 95307-06600 | NUT | 1 | 1 | 1 | 1 | |
| 13 | 2JX-2533A-00 | PLATE, INDICATOR | 1 | 1 | 1 | 1 | |
| 14 | 94109-14008 | TIRE (90/100-14 49M) | 1 | 1 | | | CHENG SHIN |
| | 94109-16008 | TIRE (90/100-16 52M IX05H) | | | 1 | 1 | INOUE |
| 15 | 94209-14003 | TUBE (90/100-14 TR6) | 1 | 1 | | | CHENG SHIN |
| | 94209-16003 | TUBE (90/100-16M TR4) | | | 1 | 1 | INOUE |
| 16 | 94309-14035 | BAND, RIM (1.60-14) | 1 | 1 | | | CHENG SHIN |
| | 94330-16058 | BAND, RIM (1.60-16) | | | 1 | 1 | INOUE |
| 17 | 94416-14002 | RIM (1.60-14) | 1 | 1 | | | |
| | 94416-16003 | RIM (1.60-16) | | | 1 | 1 | |
| 18 | 5HP-25304-00 | SPOKE SET, REAR | 1 | 1 | | | |
| | 538-25304-10 | SPOKE SET, REAR | | | 1 | 1 | |
| 19 | 2J5-25394-01 | SPACER, BEAD | 1 | 1 | 1 | 1 | |
| 20 | 5HP-25449-20 | SPROCKET, DRIVEN (49T) | 1 | 1 | | | |
| | 5HP-25454-20 | SPROCKET, DRIVEN (54T) | | | 1 | 1 | |
| 21 | 90116-10013 | BOLT, STUD | 4 | 4 | 4 | 4 | |

FIG. 28 REAR WHEEL



5HPB100-A250

| REF. NO. | PART NO. | DESCRIPTION | 5HPB | 5HFC | 5HPD | 5HPE | REMARKS |
|----------|--------------|----------------------------|------|------|------|------|---------|
| 22 | 10V-25412-00 | WASHER | 2 | 2 | 2 | 2 | |
| 23 | 90170-10206 | NUT | 4 | 4 | 4 | 4 | |
| 24 | 94581-97116 | CHAIN (DID 428HD 116L) | 1 | 1 | | | |
| | 94581-97122 | CHAIN (DID 428HD 122L) | | | 1 | 1 | |
| 25 | 94681-97001 | .JOINT.CHAIN (DID428HD-RJ) | 1 | 1 | 1 | 1 | |
| 26 | 5HN-25381-00 | AXLE, WHEEL | 1 | 1 | 1 | 1 | |
| 27 | 95607-12200 | NUT, SELF-LOCKING | 1 | 1 | 1 | 1 | |
| 28 | 90201-126A7 | WASHER, PLATE | 2 | 2 | 2 | 2 | |
| 29 | 5HP-25383-00 | COLLAR, WHEEL | 1 | 1 | 1 | 1 | |
| 30 | 90387-12670 | COLLAR | 1 | 1 | 1 | 1 | |
| 31 | 5HP-25388-00 | PULLER, CHAIN 1 | 1 | 1 | 1 | 1 | |
| 32 | 5HP-25389-00 | PULLER, CHAIN 2 | 1 | 1 | 1 | 1 | |

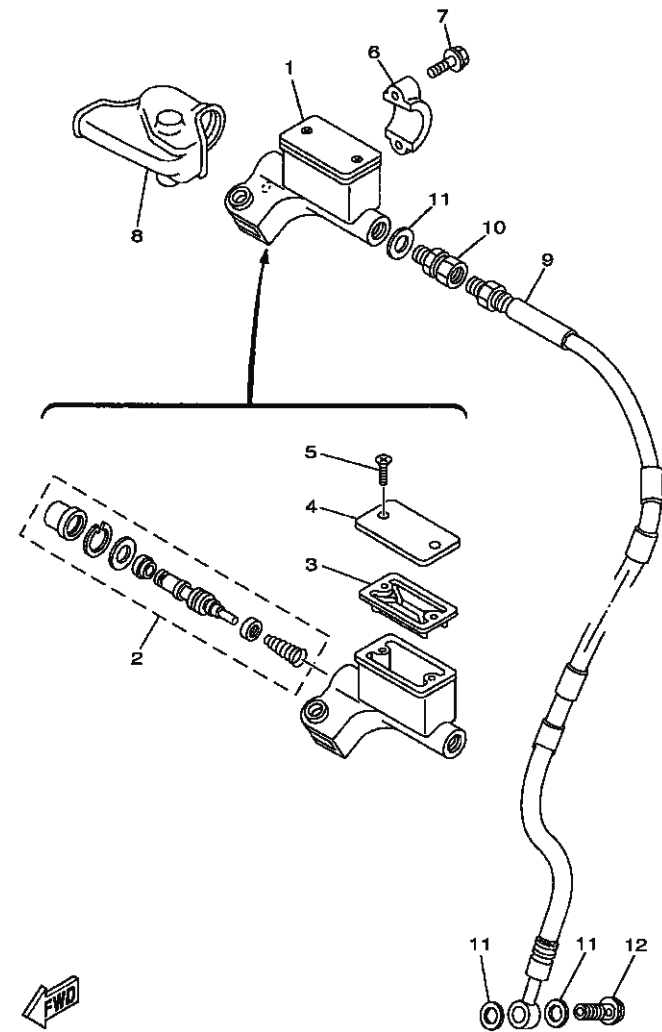


5HP1100-0260

FIG. 29 STEERING HANDLE. CABLE

| REF. NO. | PART NO. | DESCRIPTION | | | | | REMARKS |
|----------|--------------|----------------------|------|------|------|------|---------|
| | | | 5HPB | 5HFC | 5HPD | 5HPE | |
| 1 | 5HP-26111-00 | HANDLEBAR | 1 | 1 | 1 | 1 | |
| 2 | 434-26243-00 | TUBE, THROTTLE GUIDE | 1 | 1 | 1 | 1 | |
| 3 | 1LX-26242-01 | GRIP (RIGHT) | 1 | 1 | 1 | 1 | |
| 4 | 1M1-26249-01 | RING, LEAF | 1 | 1 | 1 | 1 | |
| 5 | 1LX-26241-01 | GRIP (LEFT) | 1 | 1 | 1 | 1 | |
| 6 | 5X2-26281-00 | CAP, GRIP UPPER | 1 | 1 | 1 | 1 | |
| 7 | 322-26282-00 | CAP, GRIP LOWER | 1 | 1 | 1 | 1 | |
| 8 | 5X2-2628H-01 | CAP, WIRE | 1 | 1 | 1 | 1 | |
| 9 | 98707-04012 | SCREW, FLAT HEAD | 2 | 2 | 2 | 2 | |
| 10 | 98507-05016 | SCREW, PAN HEAD | 2 | 2 | 2 | 2 | |
| 11 | 90387-22591 | COLLAR | 1 | 1 | | | |
| | 90387-224L9 | COLLAR | | | 1 | 1 | |
| 12 | 5HP-26311-00 | CABLE, THROTTLE 1 | 1 | 1 | 1 | 1 | |
| 13 | 5HP-26341-00 | CABLE, BRAKE | 1 | 1 | | | |
| 14 | 5HP-26335-00 | CABLE, CLUTCH | 1 | 1 | 1 | 1 | |
| 15 | 5HP-26331-10 | CABLE, STARTER 1 | 1 | 1 | 1 | 1 | |

FIG. 30 FRONT MASTER CYLINDER



5HP4100-0280

| REF. NO. | PART NO. | DESCRIPTION | 5HPB | 5HPC | 5HPD | 5HPE | REMARKS |
|----------|--------------|--------------------------|------|------|------|------|---------|
| 1 | 3SP-25870-01 | MASTER CYLINDER SUB ASSY | | | 1 | 1 | |
| 2 | 3SP-W0041-00 | .CYLINDER KIT, MASTER | | | 1 | 1 | |
| 3 | 56A-25854-00 | .DIAPHRAGM, RESERVOIR | | | 1 | 1 | |
| 4 | 2VN-25852-01 | .CAP, RESERVOIR | | | 1 | 1 | |
| 5 | 98706-04012 | .SCREW, FLAT HEAD | | | 2 | 2 | |
| 6 | 56A-25867-00 | BRACKET, MASTER CYLINDER | | | 1 | 1 | |
| 7 | 95027-06025 | BOLT, FLANGE | | | 2 | 2 | |
| 8 | 56A-26372-01 | COVER, HANDLE LEVER 1 | | | 1 | 1 | |
| 9 | 5HP-25872-00 | HOSE, BRAKE 1 | | | 1 | 1 | |
| 10 | 3LC-25885-00 | JOINT | | | 1 | 1 | |
| 11 | 90201-10118 | WASHER, PLATE | | | 3 | 3 | |
| 12 | 90401-10172 | BOLT, UNION | | | 1 | 1 | |

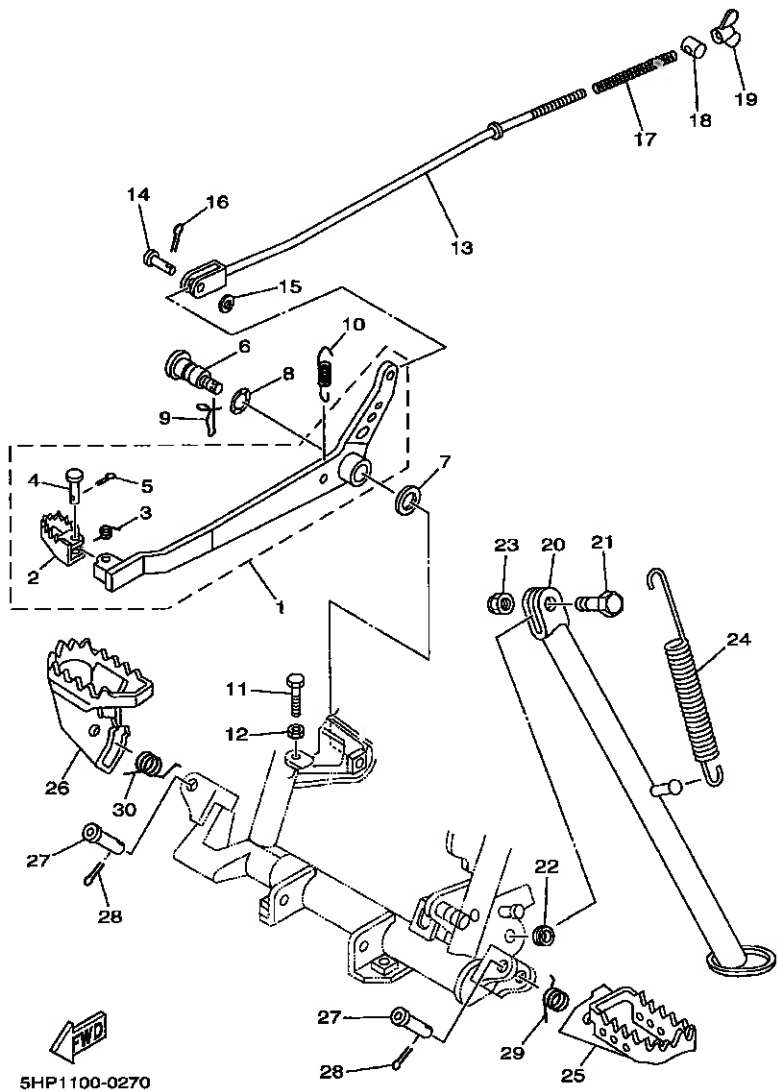


FIG. 31 STAND. FOOTREST

| REF. NO. | PART NO. | DESCRIPTION | 5HPB | 5HPC | 5HPD | 5HPE | REMARKS |
|----------|--------------|---------------------|------|------|------|------|---------|
| 1 | 5HP-27200-00 | PEDAL, BRAKE | 1 | 1 | 1 | 1 | |
| 2 | 55V-27242-00 | .PEDAL, BRAKE | 1 | 1 | 1 | 1 | |
| 3 | 90508-14352 | .SPRING, TORSION | 1 | 1 | 1 | 1 | |
| 4 | 91701-06022 | .PIN, CLEVIS | 1 | 1 | 1 | 1 | |
| 5 | 91401-20012 | .PIN, COTTER | 1 | 1 | 1 | 1 | |
| 6 | 5HP-27281-00 | SHAFT | 1 | 1 | 1 | 1 | |
| 7 | 90201-10135 | WASHER, PLATE | 1 | 1 | 1 | 1 | |
| 8 | 90206-14001 | WASHER, WAVE | 1 | 1 | 1 | 1 | |
| 9 | 90468-20196 | CLIP | 1 | 1 | 1 | 1 | |
| 10 | 90506-16372 | SPRING, TENSION | 1 | 1 | 1 | 1 | |
| 11 | 97007-06016 | BOLT | 1 | 1 | 1 | 1 | |
| 12 | 95307-06700 | NUT | 1 | 1 | 1 | 1 | |
| 13 | 5HP-27231-00 | ROD, BRAKE | 1 | 1 | | | |
| | 5HP-27231-10 | ROD, BRAKE | | | 1 | 1 | |
| 14 | 90240-06076 | PIN, CLEVIS | 1 | 1 | 1 | 1 | |
| 15 | 92907-06200 | WASHER | 1 | 1 | 1 | 1 | |
| 16 | 91401-20012 | PIN, COTTER | 1 | 1 | 1 | 1 | |
| 17 | 90501-10245 | SPRING, COMPRESSION | 1 | 1 | 1 | 1 | |
| 18 | 90249-12008 | PIN | 1 | 1 | 1 | 1 | |
| 19 | 90175-06013 | NUT, WING | 1 | 1 | 1 | 1 | |
| 20 | 5HP-27311-00 | STAND, SIDE | 1 | 1 | | | |
| | 5HP-27311-10 | STAND, SIDE | | | 1 | 1 | |
| 21 | 90101-10003 | BOLT | 1 | 1 | 1 | 1 | |
| 22 | 90387-10003 | COLLAR | 1 | 1 | 1 | 1 | |
| 23 | 90185-10037 | NUT, SELF-LOCKING | 1 | 1 | 1 | 1 | |
| 24 | 90506-35474 | SPRING, TENSION | 1 | 1 | 1 | 1 | |
| 25 | 4DA-27411-00 | FOOTREST 1 | 1 | 1 | 1 | 1 | |

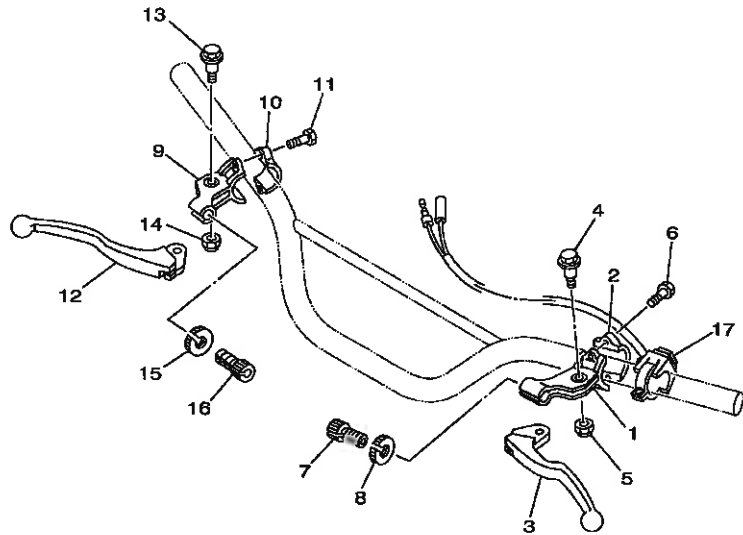


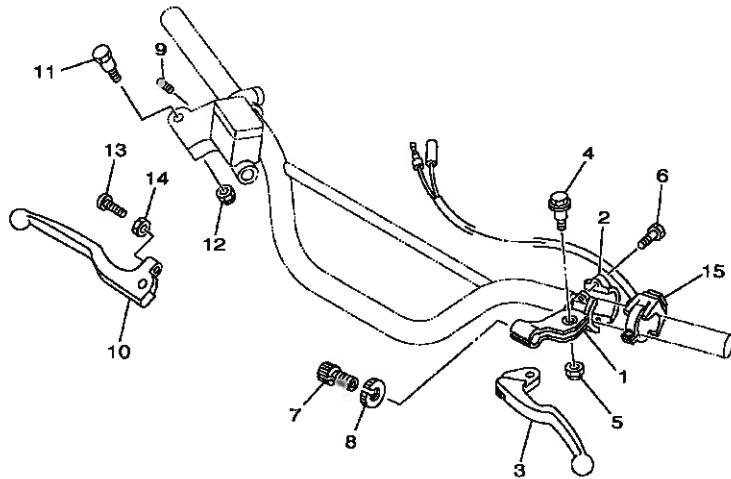
FIG. 33 HANDLE SWITCH. LEVER

| REF. NO. | PART NO. | DESCRIPTION | | | | | REMARKS |
|----------|--------------|-----------------------|------|------|------|------|---------|
| | | | 5HPB | 5HPC | 5HPD | 5HPE | |
| 1 | 38V-82911-00 | HOLDER, LEVER 1 | 1 | 1 | | | |
| 2 | 38V-82913-00 | HOLDER, LEVER LOWER 1 | 1 | 1 | | | |
| 3 | 4GY-83912-00 | LEVER 1 | 1 | 1 | | | |
| 4 | 90109-06799 | BOLT | 1 | 1 | | | |
| 5 | 95607-06100 | NUT, U | 1 | 1 | | | |
| 6 | 97007-05016 | BOLT | 2 | 2 | | | |
| 7 | 90123-08046 | BOLT | 1 | 1 | | | |
| 8 | 90179-08148 | NUT | 1 | 1 | | | |
| 9 | 38V-82921-00 | HOLDER, LEVER 2 | 1 | 1 | | | |
| 10 | 38V-82913-00 | HOLDER, LEVER LOWER 1 | 1 | 1 | | | |
| 11 | 97007-05016 | BOLT | 2 | 2 | | | |
| 12 | 23X-83922-00 | LEVER 2 | 1 | 1 | | | |
| 13 | 90109-06799 | BOLT | 1 | 1 | | | |
| 14 | 95607-06100 | NUT, U | 1 | 1 | | | |
| 15 | 90179-08148 | NUT | 1 | 1 | | | |
| 16 | 90123-08046 | BOLT | 1 | 1 | | | |
| 17 | 22W-83976-00 | SWITCH, HANDLE 1 | 1 | 1 | | | |
| | | | | | | | |
| | | | | | | | |
| | | | | | | | |



5HP1100-0290

FIG. 34 HANDLE SWITCH. LEVER 2



| REF. NO. | PART NO. | DESCRIPTION | 5HPB | 5HPC | 5HPD | 5HPE | REMARKS |
|----------|--------------|-----------------------|------|------|------|------|---------|
| 1 | 38V-82911-00 | HOLDER, LEVER 1 | | | 1 | 1 | |
| 2 | 38V-82913-00 | HOLDER, LEVER LOWER 1 | | | 1 | 1 | |
| 3 | 4GY-83912-00 | LEVER 1 | | | 1 | 1 | |
| 4 | 90109-06799 | BOLT | | | 1 | 1 | |
| 5 | 95607-06100 | NUT, U | | | 1 | 1 | |
| 6 | 97007-05016 | BOLT | | | 2 | 2 | |
| 7 | 90123-08046 | BOLT | | | 1 | 1 | |
| 8 | 90179-08148 | NUT | | | 1 | 1 | |
| 9 | 90501-061G2 | SPRING, COMPRESSION | | | 1 | 1 | |
| 10 | 3SP-83922-00 | LEVER 2 | | | 1 | 1 | |
| 11 | 90109-06577 | BOLT | | | 1 | 1 | |
| 12 | 95607-06100 | NUT, U | | | 1 | 1 | |
| 13 | 90143-06024 | SCREW, HEXAGON | | | 1 | 1 | |
| 14 | 90170-06010 | NUT | | | 1 | 1 | |
| 15 | 22W-83976-00 | SWITCH, HANDLE 1 | | | 1 | 1 | |



5HPB100-A340

NUMERICAL INDEX

| PART NO. | GRID NO. | PART NO. | GRID NO. | PART NO. | GRID NO. | PART NO. | GRID NO. | PART NO. | GRID NO. | PART NO. | GRID NO. |
|-----------------|----------|--------------|----------|--------------|----------|--------------|----------|--------------|----------|-----------------|----------|
| 5HP-11111-00 | B - 2 | 5HP-13586-00 | B - 7 | 5HP-14628-10 | B - 10 | 5AP-17241-00 | C - 2 | 2J5-22124-00 | C - 10 | 5J0-23146-00 | D - 2 |
| 4UL-1111F-00 | B - 5 | 5HP-14101-10 | B - 8 | 5HP-14711-10 | B - 10 | 5AP-17251-00 | C - 2 | 401-22128-01 | C - 10 | 3V3-23156-00 | C - 14 |
| 2UJ-11133-10 | B - 2 | 5HH-14103-00 | B - 8 | 5HP-14758-00 | B - 10 | 5AP-17402-00 | C - 2 | 22W-22129-00 | C - 11 | | D - 2 |
| 22F-11134-10 | B - 2 | 5DG-14106-00 | B - 8 | 4BD-14766-00 | B - 10 | 5AP-17411-00 | C - 2 | 5X6-22129-00 | C - 10 | 509-23158-L0 | C - 14 |
| 5HP-11161-00 | B - 2 | 5HP-14107-18 | B - 8 | 5HP-14780-00 | B - 10 | 5HP-17456-00 | C - 2 | 2N4-22141-00 | C - 10 | | D - 2 |
| 5HP-11166-00 | B - 12 | 5HP-1410A-10 | B - 8 | 5HP-1479H-00 | B - 10 | 5AP-17471-00 | C - 2 | 5HP-22151-00 | C - 10 | 1X0-23168-00 | C - 14 |
| 59V-11167-00 | B - 12 | 5HH-14112-25 | B - 8 | 5HP-1479J-00 | B - 10 | 5AP-18101-00 | C - 5 | 30X-22178-00 | C - 6 | | D - 2 |
| 5AP-11181-00 | B - 2 | 4LS-14126-00 | B - 8 | 5HP-1490J-00 | B - 8 | 5HP-18110-00 | C - 5 | 4ES-22178-00 | C - 6 | 5HP-23170-00 | C - 14 |
| 5HH-11185-00 | B - 2 | 4LS-14131-00 | B - 8 | 4LS-14923-20 | B - 8 | 5HP-18112-00 | C - 5 | 39K-2217A-00 | C - 10 | 5HP-23170-10 | D - 2 |
| 22F-11186-00 | B - 2 | 5K7-14134-00 | B - 8 | 5AP-14933-00 | B - 9 | 1W6-18113-00 | C - 5 | 22W-2217F-00 | C - 11 | 17W-23171-00 | C - 14 |
| 5HP-11310-00 | B - 2 | 5HP-14142-15 | B - 8 | 5AP-14940-00 | B - 9 | 2KW-18115-00 | C - 5 | 10V-22184-00 | C - 6 | | D - 2 |
| 5HP-11351-00 | B - 2 | 5HP-14145-00 | B - 8 | 3H1-14962-00 | B - 8 | 5AP-18140-00 | C - 5 | 22W-22189-00 | C - 11 | 2K5-23173-00 | C - 14 |
| 5HP-11400-00 | B - 3 | 3H1-14147-00 | B - 8 | 5HP-15150-00 | B - 12 | 2H9-18154-00 | C - 5 | 38V-22199-00 | C - 10 | | D - 2 |
| 5HP-11422-00 | B - 3 | 4LS-14147-00 | B - 9 | 5HP-15191-00 | B - 13 | 5AP-18185-00 | C - 4 | 5HP-22210-00 | C - 11 | 278-23181-50 | C - 14 |
| 5HP-11500-00 | B - 3 | 21V-1414M-28 | B - 8 | 5HP-15316-00 | B - 13 | 5AP-18337-00 | C - 5 | 5HP-22210-20 | C - 11 | | D - 2 |
| 5AP-11536-00 | B - 3 | 5V7-14153-00 | B - 9 | 5HH-15362-00 | B - 13 | 5AP-18511-00 | C - 4 | 5HP-22210-30 | C - 11 | 5HP-23191-00 | C - 15 |
| 4LS-11603-00 | B - 3 | 24W-14184-00 | B - 8 | 5HP-15377-00 | B - 13 | 5AP-18512-00 | C - 4 | 5HP-22210-40 | C - 11 | | D - 3 |
| 4LS-11605-00 | B - 3 | 5HH-14185-00 | B - 8 | 5HP-15411-01 | B - 13 | 5AP-18513-00 | C - 4 | 5HP-22210-50 | C - 11 | 482-23192-40 | C - 15 |
| 4LS-11607-00 | B - 3 | 127-14186-00 | B - 8 | 5HP-15418-00 | B - 13 | 2A6-18531-00 | C - 4 | 5HP-22210-60 | C - 11 | | D - 3 |
| 5HP-11631-00-A0 | B - 3 | 4LS-14191-00 | B - 8 | 5HH-15421-00 | B - 13 | 2A6-18535-00 | C - 4 | 5HP-22210-70 | C - 11 | 5HP-2319U-00 | C - 13 |
| 2TK-11633-00 | B - 3 | 1A0-14196-00 | B - 8 | 5HP-15441-00 | B - 12 | 5AP-18540-00 | C - 4 | 5HP-22210-80 | C - 11 | 3Y1-23319-00 | C - 13 |
| 5HP-11638-00 | B - 3 | 26H-14197-00 | B - 8 | 5HP-15451-00 | B - 13 | 5HP-21110-01 | C - 6 | 2YK-22216-00 | C - 11 | 5HP-2331E-00 | C - 15 |
| 5HP-11638-00 | B - 3 | 5CA-14197-00 | B - 9 | 5HP-15461-00 | B - 13 | 5HP-2117F-00 | C - 6 | 5HP-22311-00 | C - 11 | | D - 3 |
| 4LS-11651-02 | B - 3 | 5HP-14216-00 | B - 9 | 5AP-15598-00 | B - 5 | 5HP-21268-00 | C - 6 | 5HP-23102-00 | C - 14 | 5HP-23340-00 | C - 15 |
| 4LS-11681-01 | B - 3 | 1HX-14231-16 | B - 9 | 5HP-15620-00 | B - 14 | 5HP-21315-00 | C - 6 | 5HP-23102-10 | D - 2 | | D - 3 |
| 5HP-12111-00 | B - 4 | 620-14231-21 | B - 8 | 10V-15641-00 | B - 14 | 5HP-21316-00 | C - 6 | 5HP-23103-00 | C - 14 | 4DA-23389-00 | C - 15 |
| 5HP-12113-00 | B - 4 | 1HX-14231-29 | B - 9 | 5HP-15651-00 | B - 14 | 5HP-2137N-20 | D - 5 | 5HP-23103-10 | D - 2 | | D - 3 |
| 22F-12116-00 | B - 4 | 820-1423A-71 | B - 8 | 55K-15660-00 | B - 14 | 5HP-2137P-20 | D - 5 | 5HP-23106-00 | C - 14 | 5HP-2339E-10 | C - 13 |
| 22F-12117-02 | B - 4 | 66E-14251-00 | B - 8 | 5HP-15664-00 | B - 14 | 5HP-2137W-00 | D - 4 | 5HP-23106-10 | D - 2 | 5HP-23416-00 | C - 13 |
| 22F-12118-01 | B - 4 | 5HP-14280-00 | B - 9 | 401-16111-00 | B - 15 | 5HP-2137X-00 | D - 5 | 5HP-23107-00 | C - 14 | 3YF-23418-00 | C - 13 |
| 2HX-12119-00 | B - 4 | 5HP-14348-00 | B - 8 | 5AP-16150-00 | B - 15 | 5HP-21471-00 | C - 6 | 5HP-23107-10 | D - 2 | 5HP-23435-00 | C - 13 |
| 5HP-12121-00 | B - 4 | 5HP-14411-00 | B - 7 | 4V0-16154-00 | B - 15 | 5HP-21485-00 | C - 6 | 5HP-23110-00 | C - 14 | 1E6-23441-10-35 | C - 13 |
| 50M-12151-00 | B - 4 | 5HP-14412-00 | B - 7 | 5AP-16164-00 | B - 15 | 5HP-21511-00 | C - 8 | | D - 2 | 4ES-23485-20 | C - 13 |
| 22F-12156-00 | B - 4 | 5HP-14422-00 | B - 7 | 598-16321-01 | B - 15 | 5HP-21810-00 | C - 8 | 1X0-23111-00 | C - 14 | 5HP-23486-00 | C - 13 |
| 22F-12159-00 | B - 4 | 26A-14436-00 | B - 7 | 1V1-16324-00 | B - 15 | 4ES-21611-10 | C - 8 | | D - 2 | 5HP-24110-00 | D - 4 |
| 5HP-12170-00 | B - 5 | 5HP-14437-00 | B - 7 | 5AP-16351-00 | B - 15 | 4ES-21642-00 | C - 8 | 146-23114-00 | C - 14 | 4EW-2412F-00 | D - 4 |
| 5AP-12176-00 | B - 5 | 3AJ-1443E-00 | B - 7 | 5AP-16356-00 | B - 15 | 3XJ-21668-10 | C - 11 | | D - 2 | 24X-24144-00 | D - 4 |
| 4ST-12210-00 | B - 5 | MS0-1443E-00 | B - 7 | 5AP-16357-00 | B - 15 | 5HP-21711-00 | C - 9 | 17W-23118-00 | C - 14 | 26H-24145-00 | D - 4 |
| 4RF-12213-00 | B - 5 | 5HP-14450-00 | B - 7 | 1W1-16358-01 | B - 15 | 5HP-21721-00 | C - 9 | 5HP-23118-10 | D - 2 | 3SP-24173-00 | D - 4 |
| 5AP-12231-00 | B - 5 | 3GM-14452-00 | B - 7 | 5AP-16371-00 | B - 15 | 2TK-21757-00 | C - 9 | 51Y-23128-00 | C - 15 | 22W-24181-00 | B - 10 |
| 5HP-12241-01 | B - 5 | 50M-14452-00 | B - 7 | 5HP-16381-00 | B - 15 | 4XV-2177L-00 | C - 9 | | D - 3 | 3JD-24186-00 | D - 4 |
| 5AP-13300-00 | B - 6 | 5HP-14453-00 | B - 7 | 5HP-17121-00 | C - 2 | 5HP-21781-20 | C - 9 | 5HP-23141-00 | C - 14 | 5HP-24240-20 | D - 5 |
| 5HH-13324-00 | B - 6 | 5HP-14472-00 | B - 7 | 5AP-17131-00 | C - 2 | 5HP-21781-30 | C - 9 | 5HP-23141-10 | D - 2 | 4X8-24500-02 | D - 4 |
| 4GL-13325-00 | B - 6 | 34K-14484-00 | B - 7 | 5AP-17141-00 | C - 2 | 5HP-2179T-20 | C - 7 | 33J-23144-00 | C - 14 | 4X8-24512-00 | D - 4 |
| 22F-13329-01 | B - 6 | 583-14581-00 | B - 8 | 5AP-17151-00 | C - 2 | 5HP-2179X-00 | C - 6 | | D - 2 | 3AJ-24523-00 | D - 4 |
| 22F-13411-01 | B - 6 | 5HP-14585-00 | B - 9 | 5AP-17221-00 | C - 2 | 5HP-22110-00 | C - 10 | 33J-23145-00 | C - 14 | 3AJ-24534-00 | D - 4 |
| 5AP-13451-00 | B - 6 | 4BR-14613-00 | B - 10 | 5AP-17231-00 | C - 2 | 5HP-22110-10 | C - 10 | | D - 2 | 2FJ-24610-00 | D - 4 |
| 16G-13569-00 | B - 7 | 5HP-14628-00 | B - 10 | | | 22W-22124-00 | C - 10 | 5J0-23146-00 | C - 14 | 5HP-24731-00 | D - 6 |

NUMERICAL INDEX

| PART NO. | GRID NO. | PART NO. | GRID NO. | PART NO. | GRID NO. | PART NO. | GRID NO. | PART NO. | GRID NO. | PART NO. | GRID NO. |
|--------------|----------|--------------|----------|--------------|----------|-------------|----------|-------------|----------|-------------|----------|
| 5HP-24770-00 | D - 6 | 434-26243-00 | D - 12 | 1LR-W0057-00 | D - 9 | 90143-06024 | E - 4 | 90201-20272 | C - 2 | 90462-08005 | B - 13 |
| 5HP-25104-00 | D - 7 | 1M1-26249-01 | D - 12 | 5HP-W1141-00 | B - 3 | 90149-06011 | D - 4 | 90201-202F9 | B - 14 | 90464-13073 | E - 5 |
| 5HP-25104-10 | D - 8 | 5X2-26281-00 | D - 12 | 4KN-W253E-11 | D - 7 | 90149-06286 | C - 4 | 90202-05193 | D - 4 | 90464-13077 | E - 5 |
| 248-25111-10 | D - 7 | 322-26282-00 | D - 12 | | D - 10 | 90153-06029 | B - 2 | 90202-26142 | C - 13 | 90465-10098 | E - 5 |
| 5HP-25111-10 | D - 8 | 5X2-2628H-01 | D - 12 | 90101-06278 | D - 7 | 90155-06009 | B - 6 | 90206-06090 | B - 10 | 90465-13152 | D - 4 |
| 2K5-25118-00 | D - 8 | 5HP-26311-00 | D - 12 | | D - 10 | 90157-08124 | C - 2 | 90206-14001 | D - 14 | | E - 5 |
| 322-25118-00 | D - 7 | 5HP-26331-10 | D - 12 | 90101-08590 | B - 5 | 90159-06182 | D - 4 | 90208-07052 | B - 6 | 90465-14242 | C - 13 |
| 462-25118-00 | D - 8 | 5HP-26335-00 | D - 12 | 90101-10003 | D - 14 | 90170-05302 | B - 4 | 90208-17032 | B - 15 | 90467-10008 | D - 4 |
| 5HP-25121-00 | D - 7 | 5HP-26341-00 | D - 12 | 90105-06014 | B - 13 | 90170-06010 | E - 4 | 90209-06187 | C - 8 | 90467-10039 | B - 7 |
| 558-25155-00 | D - 7 | 56A-26372-01 | D - 13 | 90105-06015 | B - 12 | 90170-06228 | C - 5 | 90215-12211 | B - 15 | 90467-13064 | B - 12 |
| 3UN-25181-00 | D - 7 | 5HP-27200-00 | D - 14 | | B - 13 | 90170-10206 | D - 11 | 90240-06076 | D - 14 | 90467-14015 | B - 7 |
| | D - 8 | 5HP-27231-00 | D - 14 | 90105-06557 | B - 5 | 90170-12060 | B - 15 | 90240-10117 | D - 15 | 90467-15012 | B - 7 |
| 5HP-25304-00 | D - 10 | 5HP-27231-10 | D - 14 | 90105-06890 | C - 8 | 90175-06013 | D - 14 | 90249-12008 | D - 14 | 90468-20196 | D - 14 |
| 538-25304-10 | D - 10 | 55V-27242-00 | D - 14 | 90105-08002 | C - 6 | 90179-08148 | E - 3 | 90267-40073 | B - 7 | 90468-26048 | B - 14 |
| 5HP-25311-10 | D - 10 | 5HP-27261-00 | D - 14 | 90105-08007 | C - 6 | | E - 4 | 90280-03017 | B - 3 | 90480-01558 | C - 9 |
| 109-25315-00 | D - 7 | 5HP-27311-00 | D - 14 | 90105-08011 | C - 6 | 90179-08491 | B - 10 | 90282-05001 | B - 15 | 90480-13398 | C - 9 |
| | D - 10 | 5HP-27311-10 | D - 14 | 90105-081A7 | B - 11 | 90179-12248 | B - 3 | 90338-16029 | D - 7 | 90480-18549 | D - 4 |
| 5HP-25321-00 | D - 10 | 4DA-27411-00 | D - 14 | 90105-08211 | D - 9 | 90179-12659 | B - 14 | 90340-12097 | B - 6 | 90501-061G2 | E - 4 |
| 2JX-2533A-00 | D - 10 | 4GY-27421-00 | D - 15 | 90105-082A0 | C - 6 | | B - 15 | 90340-14068 | B - 13 | 90501-10245 | D - 14 |
| 50W-2533A-00 | D - 7 | 5HP-2811G-00 | B - 7 | 90105-084A1 | C - 6 | 90179-22412 | C - 13 | 90340-32069 | B - 13 | 90501-204A0 | B - 15 |
| 3Y6-25351-00 | D - 7 | 3FV-28386-00 | C - 9 | 90105-08724 | B - 2 | 90179-25033 | C - 13 | 90380-16109 | C - 10 | 90506-15260 | D - 7 |
| | D - 10 | 1HX-28415-00 | D - 4 | 90105-10392 | C - 11 | 90179-25615 | C - 13 | 90383-16023 | C - 11 | | D - 10 |
| 55K-25355-00 | D - 10 | 4KJ-82310-10 | E - 5 | 90105-12425 | C - 12 | 90183-04047 | B - 10 | 90384-18190 | C - 10 | 90506-16372 | D - 14 |
| 5HN-25381-00 | D - 11 | 4BP-82370-00 | E - 5 | 90105-12660 | C - 10 | 90185-08169 | C - 6 | 90386-18099 | C - 10 | 90506-35474 | D - 14 |
| 5HP-25383-00 | D - 11 | 5HP-82590-00 | E - 5 | 90109-063F7 | C - 5 | 90185-10002 | B - 10 | 90387-080A3 | C - 6 | 90508-142A5 | B - 15 |
| 5HP-25388-00 | D - 11 | 38V-82911-00 | E - 3 | 90109-06577 | E - 4 | 90185-10037 | D - 14 | 90387-062X0 | C - 10 | 90508-14352 | D - 14 |
| 5HP-25389-00 | D - 11 | | E - 4 | 90109-065F3 | C - 5 | 90185-10120 | C - 10 | 90387-064X4 | C - 8 | 90508-26667 | B - 14 |
| 2J5-25394-01 | D - 10 | 38V-82913-00 | E - 3 | | D - 9 | 90201-06071 | D - 4 | 90387-06681 | C - 6 | 90508-284A7 | D - 15 |
| 10V-25412-00 | D - 11 | | E - 4 | 90109-06799 | E - 3 | 90201-064H0 | C - 8 | 90387-08737 | C - 10 | 90508-28777 | D - 15 |
| 5HP-25449-20 | D - 10 | 38V-82921-00 | E - 3 | | E - 4 | 90201-08326 | B - 5 | 90387-10003 | D - 14 | 90508-32642 | C - 5 |
| 5HP-25454-20 | D - 10 | 4GY-83912-00 | E - 3 | 90109-10689 | C - 10 | 90201-08609 | B - 2 | 90387-105G9 | C - 11 | 90560-12138 | D - 7 |
| 3UN-2580T-00 | D - 9 | | E - 4 | 90110-06004 | E - 2 | 90201-086P8 | C - 6 | 90387-106G0 | C - 10 | 90560-12170 | D - 10 |
| 3UN-2582T-00 | D - 9 | 23X-83922-00 | E - 3 | 90110-06014 | B - 2 | 90201-08753 | C - 6 | 90387-12005 | D - 8 | 90560-12257 | D - 8 |
| 34X-25845-00 | D - 9 | 3SP-83922-00 | E - 4 | 90110-06225 | E - 2 | 90201-087A9 | B - 11 | 90387-12096 | D - 7 | 91317-05010 | C - 3 |
| 2VN-25852-01 | D - 13 | 22W-83976-00 | E - 3 | 90110-06226 | B - 5 | 90201-10118 | D - 13 | 90387-12670 | D - 11 | 91317-06016 | C - 13 |
| 56A-25854-00 | D - 13 | | E - 4 | 90116-06503 | B - 2 | 90201-10135 | D - 14 | 90387-126F8 | D - 8 | 91317-06020 | B - 7 |
| 56A-25867-00 | D - 13 | 2EK-85111-00 | E - 5 | 90116-10013 | D - 10 | 90201-101J1 | B - 10 | 90387-224L9 | D - 12 | 91401-20012 | D - 14 |
| 3SP-25870-01 | D - 13 | 5HP-85112-00 | C - 15 | 90119-05020 | B - 15 | 90201-10430 | C - 10 | 90387-22591 | D - 12 | 91401-25015 | D - 15 |
| 5HP-25872-00 | D - 13 | | D - 3 | 90119-05071 | C - 15 | 90201-120E8 | B - 3 | 90389-12002 | C - 10 | 91701-06022 | D - 14 |
| 3LC-25885-00 | D - 13 | 449-85131-02 | C - 8 | | D - 3 | 90201-122H1 | B - 15 | 90401-10172 | D - 13 | 92907-03100 | B - 9 |
| 56A-25919-00 | D - 9 | 5HP-85510-01 | E - 2 | 90119-06011 | D - 6 | 90201-124G9 | C - 10 | 90430-06014 | B - 2 | 92907-04100 | B - 9 |
| 56A-25919-10 | D - 9 | 5HP-85540-00 | E - 2 | 90119-06018 | C - 9 | 90201-126A7 | D - 11 | | B - 5 | 92907-04200 | B - 7 |
| 56A-25926-00 | D - 9 | 5HP-85546-00 | E - 5 | 90119-06044 | B - 7 | 90201-12749 | D - 7 | 90430-10148 | E - 5 | 92907-06200 | B - 15 |
| 56A-25937-00 | D - 9 | 5HP-85550-00 | E - 2 | 90119-06063 | C - 8 | | D - 8 | 90445-096H2 | B - 6 | | D - 14 |
| 5R2-25937-00 | D - 9 | 3SP-W0041-00 | D - 13 | 90119-06118 | C - 6 | 90201-127J6 | C - 5 | 90445-10007 | D - 4 | 93101-10142 | B - 13 |
| 5HP-26111-00 | D - 12 | 3UN-W0045-00 | D - 9 | 90119-06205 | C - 11 | 90201-152H7 | B - 14 | 90450-44062 | D - 4 | 93101-12173 | C - 5 |
| 1LX-26241-01 | D - 12 | 1LR-W0047-00 | D - 9 | 90123-08046 | E - 3 | 90201-15700 | C - 2 | 90480-46206 | B - 7 | 93102-12224 | B - 15 |
| 1LX-26242-01 | D - 12 | 51L-W0048-00 | D - 9 | | E - 4 | 90201-20266 | C - 2 | | B - 7 | 93102-18008 | D - 8 |

NUMERICAL INDEX

| PART NO. | GRID NO. | PART NO. | GRID NO. | PART NO. | GRID NO. | PART NO. | GRID NO. | PART NO. | GRID NO. |
|-------------|----------|-------------|----------|-------------|----------|----------|----------|----------|----------|
| 93102-20143 | C - 2 | 94581-94088 | B - 5 | 98507-03006 | B - 9 | | | | |
| 93106-18013 | D - 8 | 94581-97116 | D - 11 | 98507-04014 | B - 9 | | | | |
| 93106-20033 | D - 7 | 94581-97122 | D - 11 | 98507-05016 | D - 12 | | | | |
| | D - 10 | 94681-97001 | D - 11 | 98507-06010 | B - 13 | | | | |
| 93109-16035 | C - 11 | 94701-00265 | B - 2 | 98706-04012 | D - 13 | | | | |
| 93109-20014 | B - 14 | 94701-00366 | B - 2 | 98707-04012 | D - 12 | | | | |
| 93210-14369 | B - 13 | 95024-08035 | C - 13 | 98707-06025 | D - 4 | | | | |
| 93210-19123 | B - 13 | 95027-06010 | B - 10 | 98904-06010 | C - 6 | | | | |
| 93210-30611 | B - 7 | 95027-06016 | B - 5 | 98907-06020 | D - 4 | | | | |
| 93210-32172 | B - 13 | | E - 5 | 98980-06008 | B - 10 | | | | |
| 93210-44704 | B - 2 | 95027-06020 | B - 2 | 99001-05600 | B - 6 | | | | |
| 93210-57634 | B - 2 | 95027-06025 | D - 13 | 99001-10600 | C - 5 | | | | |
| 93210-71462 | B - 2 | 95027-06030 | B - 12 | 99009-15400 | B - 14 | | | | |
| 93306-00108 | D - 8 | 95027-06035 | B - 13 | | C - 2 | | | | |
| 93306-20121 | C - 2 | 95027-06045 | B - 13 | 99009-20500 | B - 15 | | | | |
| 93306-20218 | C - 2 | 95027-06055 | B - 12 | 99241-00080 | C - 8 | | | | |
| 93306-20221 | B - 3 | 95027-08012 | C - 6 | 99530-10114 | B - 2 | | | | |
| 93306-20301 | C - 2 | 95304-06700 | C - 5 | | B - 12 | | | | |
| 93306-20401 | C - 2 | 95307-06600 | B - 15 | | B - 13 | | | | |
| 93306-20597 | B - 3 | | D - 7 | | | | | | |
| 93306-30102 | D - 7 | | D - 10 | | | | | | |
| 93306-30111 | D - 10 | 95307-06700 | D - 14 | | | | | | |
| 93310-6290C | B - 3 | 95607-06100 | E - 3 | | | | | | |
| 93332-00079 | C - 13 | | E - 4 | | | | | | |
| 93399-99949 | C - 13 | 95807-06200 | B - 10 | | | | | | |
| 93410-20038 | C - 2 | 95807-12200 | D - 11 | | | | | | |
| 93440-10109 | B - 2 | 95617-08100 | C - 6 | | | | | | |
| 93450-16088 | B - 3 | 95817-12100 | C - 10 | | | | | | |
| 93503-16003 | B - 15 | | D - 7 | | | | | | |
| 93604-10011 | C - 4 | | D - 8 | | | | | | |
| 93808-30152 | C - 5 | 95807-06012 | C - 13 | | | | | | |
| 93822-13213 | C - 2 | 95807-06016 | C - 6 | | | | | | |
| 94107-17008 | D - 7 | | C - 10 | | | | | | |
| 94107-19008 | D - 8 | 95807-06020 | C - 10 | | | | | | |
| 94109-14008 | D - 10 | 95807-10016 | E - 5 | | | | | | |
| 94109-16008 | D - 10 | 95817-06016 | B - 13 | | | | | | |
| 94207-17003 | D - 7 | 95817-10040 | B - 10 | | | | | | |
| 94209-14003 | D - 10 | 95827-06012 | C - 13 | | | | | | |
| 94209-16003 | D - 10 | 95827-06016 | D - 4 | | | | | | |
| 94225-19133 | D - 8 | 95827-06020 | C - 5 | | | | | | |
| 94307-17035 | D - 7 | 95827-06030 | D - 4 | | | | | | |
| 94309-14035 | D - 10 | 97007-05016 | E - 3 | | | | | | |
| 94320-19089 | D - 8 | | E - 4 | | | | | | |
| 94330-16058 | D - 10 | 97007-06016 | D - 14 | | | | | | |
| 94414-17006 | D - 7 | 97707-50520 | B - 7 | | | | | | |
| 94414-19002 | D - 8 | 97801-03008 | D - 4 | | | | | | |
| 94416-14002 | D - 10 | 98501-04016 | C - 15 | | | | | | |
| 94416-16003 | D - 10 | | D - 3 | | | | | | |